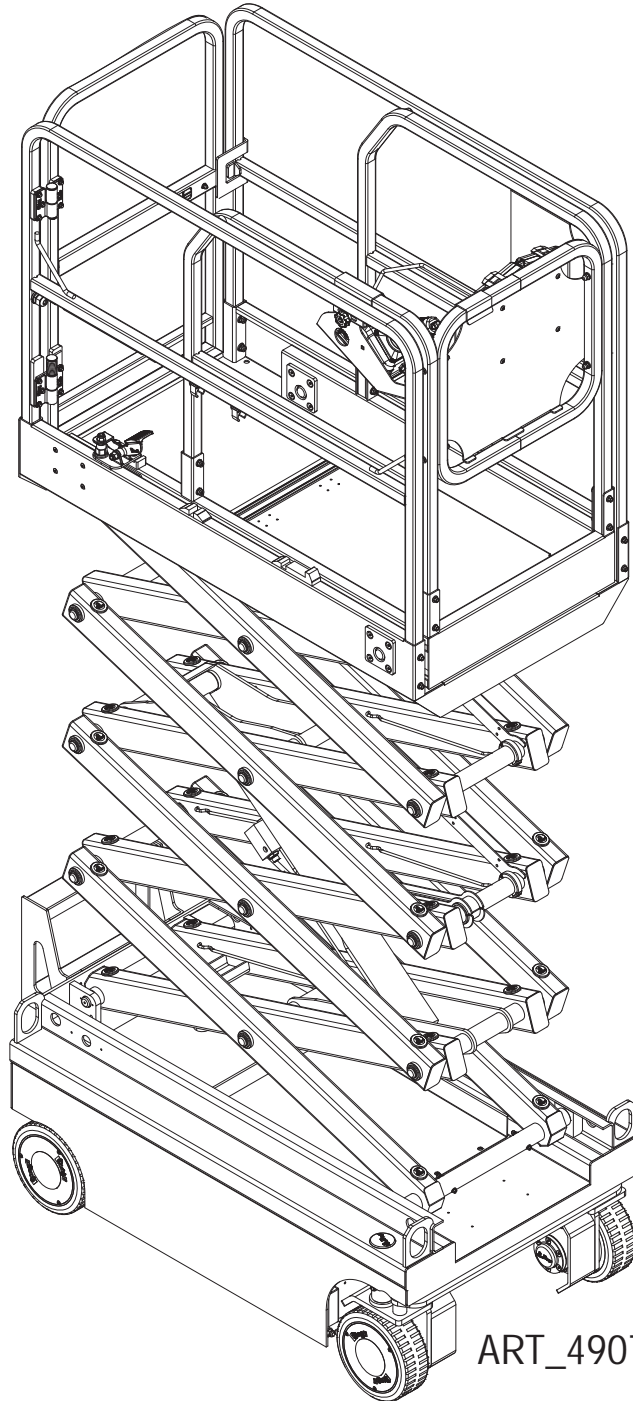




Service & Parts Manual

1330SE



ART_4907

Serial Number Range
16300001 - 16307699

Part # 94123
January 2024

Revision History

Date	Reason for Update
June 2016	New Release
July 2017	New Style Ground Control
April 2019	Platform Controls Update
May 2019	Steering Components Correction, Lift Cylinder Assembly Update
August 2019	Continuous Update
November 2019	Added Hindley Platform Controls
December 2019	Added Vent Kit
February 2020	Added Platform Control Box, From Serial #16305919 Updated Platform Extension Assembly
March 2020	Added 41932 to Hydraulic Power Unit
August 2020	Corrections and Update



MEC Aerial Work Platforms

1401 S. Madera Avenue, Kerman, CA 93630 USA
 Toll Free: 1 - 877 - 632 - 5438
 Phone: 1 - 559 - 842 - 1500
 Fax: 1 - 559 - 842 - 1520
info@MECawp.com
www.MECawp.com

Table of Contents

Chapter 1 - Service	1
Service Introduction.	1
Section 1 - MEC Operator Policy	2
<i>MEC Operator Policy</i>	2
Section 2 - Safety Symbols & General Safety Tips	3
<i>Safety Symbols & General Safety Tips</i>	3
Section 3 - Specifications	4
<i>Specifications</i>	4
Section 4 - Torque Specifications	5
<i>Bolt Torque Specification - American Standard</i>	5
<i>Bolt Torque Specification - Metric Standard</i>	6
<i>Hydraulic Components Torque Table</i>	7
Section 5 - Maintenance Lock	8
<i>Maintenance Lock</i>	8
Section 6 - Hydraulic, Electrical and Total System	9
<i>Hydraulic, Electrical and Total System</i>	9
Section 7 - Primary Machine Components.	10
<i>Primary Machine Components</i>	10
Section 8 - Emergency Systems And Procedures	11
<i>Emergency Systems And Procedures.</i>	11
<i>Free-Wheel Configuration For Winching Or Towing</i>	12
<i>Lift And Support The Machine</i>	13
Section 9 - Maintenance.	14
<i>Machine Maintenance – General</i>	14
<i>Pre-Start Inspection Checklist</i>	15
<i>Frequent Inspection Checklist</i>	16
<i>Annual Inspection Checklist</i>	22
Section 10 - Control System	25
<i>Control Component Locations.</i>	25
<i>Fault Codes</i>	26
<i>Parameter Adjustment.</i>	33
<i>Menu Screen Display</i>	34
<i>Calibration Screen Display</i>	35

Section 11 - Schematics.	40
Hydraulic Schematic	40
Hydraulic Unit	41
Electrical Schematic	42
Control Harness, 1 Of 2	43
Control Harness, 2 Of 2	44
Pin Identification, ECU Harness Plug	45
Pin Identification, Motor Controller ECU2 Harness Plug	46
Pin Identification, Main Harness Plugs	47
Pin Identification, Platform Controls, COM Cable	48
Pin Identification, Chassis Connections	49
Wiring Diagram	50
 Chapter 2 - Parts	 51
Parts Introduction	51
 Section 12 - Chassis.	 52
Chassis Assembly	52
Pothole Protection Assembly	54
Steering Components	56
Drive Wheel Assembly	58
Component Tray - To Serial #16300001-16301160	60
Component Tray - From Serial #16301161	62
Hydraulic Power Unit	64
Lower Controls - From Serial #16301161	66
 Section 13 - Scissor	 68
Scissor Installation	68
Scissor Assembly	70
 Section 14 - Platform	 72
Platform Installation	72
Main Platform Assembly	74
Platform Extension Assembly	76
Platform Extension Lock	78
Platform Controls	80
Hindley Platform Controls	82
Platform Control Box, From Serial #16305919	84
 Section 15 - Hydraulics	 86
Lift Cylinder Assembly	86
Hoses & Fittings	88
Electrical Harness	90
 Section 16 - Decals	 92
Decals	92

Service Introduction

This Service section is designed to provide you, the customer, with the instructions needed to properly maintain the MEC self-propelled aerial work platform. When used in conjunction with the illustrated Parts section in this manual and the Operator's Manual (provided separately), this manual will assist you in making necessary adjustments and repairs, and identifying and ordering the correct replacement parts.

All parts represented here are manufactured and supplied in accordance with MEC quality standards. We recommend that you use genuine MEC parts to ensure proper operation and reliable performance.

To obtain maximum benefits from your MEC Aerial Work Platforms, always follow the proper operating and maintenance procedures. Only trained authorized personnel should be allowed to operate or service this machine. Service personnel should read and study the Operator's, and the Service and Parts Manuals in order to gain a thorough understanding of the unit prior to making any repairs.

MEC Operator Policy

Note: *The best method to protect yourself and others from injury or death is to use common sense. If you are unsure of any operation, **don't start** until you are satisfied that it is safe to proceed and have discussed the situation with your supervisor.*

Service personnel and machine operators must understand and comply with all warnings and instructional decals on the body of the machine, at the ground controls, and platform control console.



MODIFICATIONS OF THIS MACHINE FROM THE ORIGINAL DESIGN AND SPECIFICATIONS WITHOUT WRITTEN PERMISSION FROM MEC ARE STRICTLY FORBIDDEN. A MODIFICATION MAY COMPROMISE THE SAFETY OF THE MACHINE, SUBJECTING OPERATOR(S) TO SERIOUS INJURY OR DEATH.

MEC's policies and procedures demonstrate our commitment to Quality and our relentless ongoing efforts towards Continuous Improvement, due to which product specifications are subject to change without notice.

Any procedures not found within this manual must be evaluated by the individual to assure oneself that they are "proper and safe."

Your MEC Aerial Work Platform has been designed, built, and tested to provide many years of safe, dependable service. Only trained, authorized personnel should be allowed to operate or service the machine.

MEC, as manufacturer, has no direct control over machine application and operation. Proper safety practices are the responsibility of the user and all operating personnel.

If there is a question on application and/or operation, contact MEC Aerial Work Platforms:



MEC Aerial Work Platforms

1401 S. Madera Avenue, Kerman, CA 93630 USA
Toll Free: 1 - 877 - 632 - 5438
Phone: 1 - 559 - 842 - 1500
Fax: 1 - 559 - 842 - 1520
info@MECawp.com
www.MECawp.com

Safety Symbols & General Safety Tips

MEC manuals and decals use symbols, colors and signal words to help you recognize important safety, operation and maintenance information.



RED and the word **DANGER** – Indicates an imminently hazardous situation which, if not avoided, will result in death or serious injury.



ORANGE and the word **WARNING** – Indicates a potentially hazardous situation which, if not avoided, could result in death or serious injury.



YELLOW with alert symbol and the word **CAUTION** – Indicates a potentially hazardous situation which, if not avoided, may result in minor or moderate injury.



YELLOW without alert symbol and the word **CAUTION** – Indicates a potentially hazardous situation which, if not avoided, may result in property damage.



GREEN and the word **NOTICE** – Indicates operation or maintenance information.

Regular inspection and constant maintenance is the key to efficient economical operation of your aerial work platform. It will help to assure that your equipment will perform satisfactorily with a minimum of service and repair.

The actual operating environment of the machine governs the inspection schedule. Correct lubrication is an essential part of the preventative maintenance to minimize wear on working parts and ensure against premature failure. By maintaining correct lubrication, the possibility of mechanical failure and resulting downtime is reduced to a minimum.

- Never leave hydraulic components or hoses open. They must be protected from contamination (including rain) at all times.
- Never open a hydraulic system when there are contaminants in the air.
- Always clean the surrounding area before opening hydraulic systems.
- Use only recommended lubricants. Improper lubricants or incompatible lubricants may be as harmful as no lubrication.
- Watch for makeshift “fixes” which can jeopardize safety as well as lead to more costly repair.



Specifications

Working Height*		19 ft	6 m
Platform Height		13 ft	4 m
Maximum Drive Height		13 ft	4 m
Stowed Height	Top Guardrail	74 in	1.9 m
	Platform Floor	35 in	0.9 m
Guardrail Height		39 in	1 m
Toeboard Height		6 in	15 cm
Machine Weight** (Unloaded)		1,900 lb	860 kg
Lift Capacity	Total	530 lb	240 kg
Deck Extension Capacity		1 Person / 250lb (113 kg)	
Maximum Occupants		2	
Length-Stowed (Overall)		58 in	1.5 m
Length-Stowed (Ladder Removed)		51 in	1.3 m
Platform Length (Extended)		75 in	1.9 m
Platform Length (Retracted)		51 in	1.3 m
Width (Overall)		30 in	76 cm
Platform Width (Outside)		27.5 in	70 cm
Wheel Base		41 in	1 m
Turning Radius - Inside		18 in	45 cm
Ground Clearance - Stowed		2.5 in	6 cm
Ground Clearance - Elevated		0.6 in	1.5 cm
Drive Speed (Proportional)	Stowed	0-2.5 mph	0-4 km/h
	Raised or Extended	0-0.7 mph	0-1.1 km/h
Gradability		25%/14°	
Maximum Side Slope - Stowed		5°	
Ground Pressure/Wheel		112 psi	7.9 kg/cm ²
Maximum Wheel Load		730 lb	331 kg
Occupied Floor Pressure		234 psf	1,138 kg/m ²
Maximum Operating Wind Speed		28 mph / 12.5 m/sec (45 km/h)	
Tire Size		9 x 3 inch/230 x 80mm	
Lug Nut Torque		19 ft-lb / 25.5 Nm, secured with cotter pin	
Hydraulic Pressure		2250 psi/ 155 bar	
Power System Voltage		24 Volt DC	
Battery Charger	Input	110-230 V AC, 50-60 Hz	
	Output	24 Volt DC	
Batteries		Two 12-Volt deep cycle; 85Ah	
Meets applicable requirements of ANSI A92.6-2006.			
*Working Height adds 6 feet (2 m) to platform height. **Weight may increase with certain options.			
*** Uniform Pressure of 1330SE can be reduced to 111.2 (542.93 kg/sq.M) (unloaded) to 142.2 (694.3 kg/sq.M) (loaded) by extending the slide out platform			

Bolt Torque Specification - American Standard

Fasteners

Use the following values to apply torque unless a specific torque value is called out for the part being used.

American Standard Cap Screws								
SAE Grade	5				8			
Cap Screw Size (inches)								
	Torque				Torque			
	Ft.	Lbs	Nm		Ft.	Lbs	Nm	
	Min	Max	Min	Max	Min	Max	Min	Max
1/4 - 20	6.25	7.25	8.5	10	8.25	9.5	11	13
1/4 - 28	8	9	11	12	10.5	12	14	16
5/16 - 18	14	15	19	20	18.5	20	25	27
5/16 - 24	17.5	19	12	26	23	25	31	34
3/8 - 16	26	28	35	38	35	37	47.5	50
3/8 - 24	31	34	42	46	41	45	55.5	61
7/16 - 14	41	45	55.5	61	55	60	74.5	81
7/16 - 20	51	55	69	74.5	68	75	92	102
1/2 - 13	65	72	88	97.5	86	96	116	130
1/2 - 20	76	84	103	114	102	112	138	152
9/16 - 12	95	105	129	142	127	140	172	190
9/16 - 18	111	123	150	167	148	164	200	222
5/8 - 11	126	139	171	188	168	185	228	251
5/8 - 18	152	168	206	228	203	224	275	304
3/4 - 10	238	262	322	255	318	350	431	474
3/4 - 16	274	302	371	409	365	402	495	544
7/8 - 9	350	386	474	523	466	515	631	698
7/8 - 14	407	448	551	607	543	597	736	809
1 - 8	537	592	728	802	716	790	970	1070
1 - 14	670	740	908	1003	894	987	1211	1137



Torque values apply to fasteners as received from the supplier, dry or when lubricated with normal engine oil.

If special graphite grease, molydisulphide grease, or other extreme pressure lubricants are used, these torque values do not apply.

Bolt Torque Specification - Metric Standard

Fasteners

Use the following values to apply torque unless a specific torque value is called out for the part being used

Metric Cap Screws								
Metric Grade	8.8				10.9			
Cap Screw Size (Millimeters)								
	Torque				Torque			
	Ft.	Lbs	Nm		Ft.	Lbs	Nm	
	Min	Max	Min	Max	Min	Max	Min	Max
M6 × 1.00	6	8	8	11	9	11	12	15
M8 × 1.25	16	20	21.5	27	23	27	31	36.5
M10 × 1.50	29	35	39	47	42	52	57	70
M12 × 1.75	52	62	70	84	75	91	102	123
M14 × 2.00	85	103	115	139	120	146	163	198
M16 × 2.50	130	158	176	214	176	216	238	293
M18 × 2.50	172	210	233	284	240	294	325	398
M20 × 2.50	247	301	335	408	343	426	465	577
M22 × 2.50	332	404	450	547	472	576	639	780
M24 × 3.00	423	517	573	700	599	732	812	992
M27 × 3.00	637	779	863	1055	898	1098	1217	1488
M30 × 3.00	872	1066	1181	1444	1224	1496	1658	2027

Torque values apply to fasteners as received from the supplier, dry or when lubricated with normal engine oil.

If special graphite grease, molydisulphide grease, or other extreme pressure lubricants are used, these torque values do not apply.

Hydraulic Components Torque Table

Note: Always lubricate threads with clean hydraulic fluid prior to installation.

Use the following values to torque hydraulic components when a specific value is not available. Always check for torque values in the following places before relying on the Hydraulic Components Torque Table.

- Parts drawings and service instructions in this manual.
- Packaging and instruction sheets provided with new parts.
- Instruction manuals provided by the manufacturer of the component being serviced.

Type: SAE Port Series	Cartridge Poppet		Fittings		Hoses	
	Ft. lbs	Nm	Ft. lbs	Nm	In. lbs	Nm
#4	N/A	N/A	N/A	N/A	135 - 145	15 - 16
#6	N/A	N/A	10 - 20	14 - 27	215 - 245	24 - 28
#8	25 - 30	31 - 41	25 - 30	34 - 41	430 - 470	49 - 53
#10	35 - 40	47 - 54	35 - 40	47 - 54	680 - 750	77 - 85
#12	85 - 90	115 - 122	85 - 90	115 - 122	950 - 1050	107 - 119
#16	130 - 140	176 - 190	130 - 140	176 - 190	1300 - 1368	147 - 155

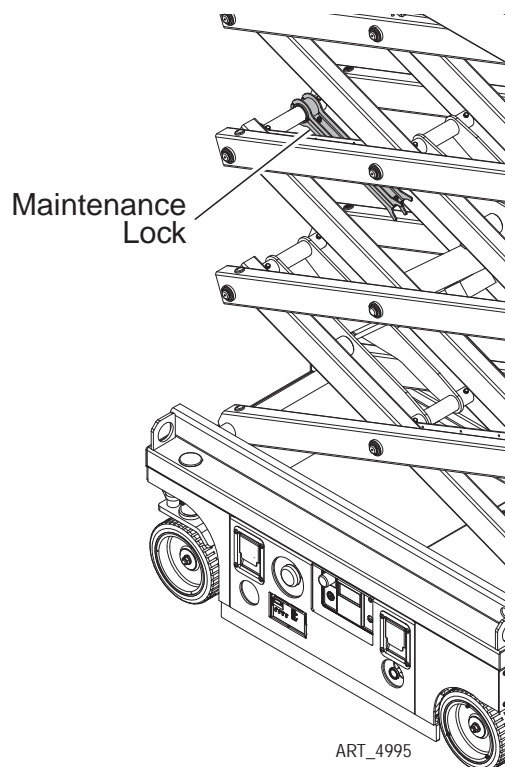
Maintenance Lock

DEATH OR SERIOUS INJURY HAZARD!



NEVER PERFORM WORK OR INSPECTION ON THE MACHINE WITH THE PLATFORM ELEVATED WITHOUT FIRST BLOCKING THE SCISSOR ASSEMBLY WITH THE MAINTENANCE LOCK.

1. Raise the platform approximately 7.2ft / 2.2m from the ground.
2. Rotate the Maintenance Lock away from the machine and let it hang down.
3. Lower the platform until the Maintenance Lock rests securely on the link. Keep clear of the Maintenance Lock when lowering the platform.



Hydraulic, Electrical and Total System

Hydraulic System



HYDRAULIC FLUID UNDER PRESSURE CAN PENETRATE AND BURN SKIN, DAMAGE EYES, AND MAY CAUSE SERIOUS INJURY, BLINDNESS, AND EVEN DEATH.

CORRECT LEAKS IMMEDIATELY.



Hydraulic fluid leaks under pressure may not always be visible. Check for pin hole leaks with a piece of cardboard, not your hand.

Electrical System



Prevent damage to battery and/or electrical system;

- **Always disconnect the negative battery cable first.**
 - **Always connect the positive battery cable first.**
-

When the negative cable is installed, a spark will occur if contact is made between the positive side of the battery and a metal surface on the machine. This can cause damage to the electrical system, battery explosion, and personal injury.

Total System

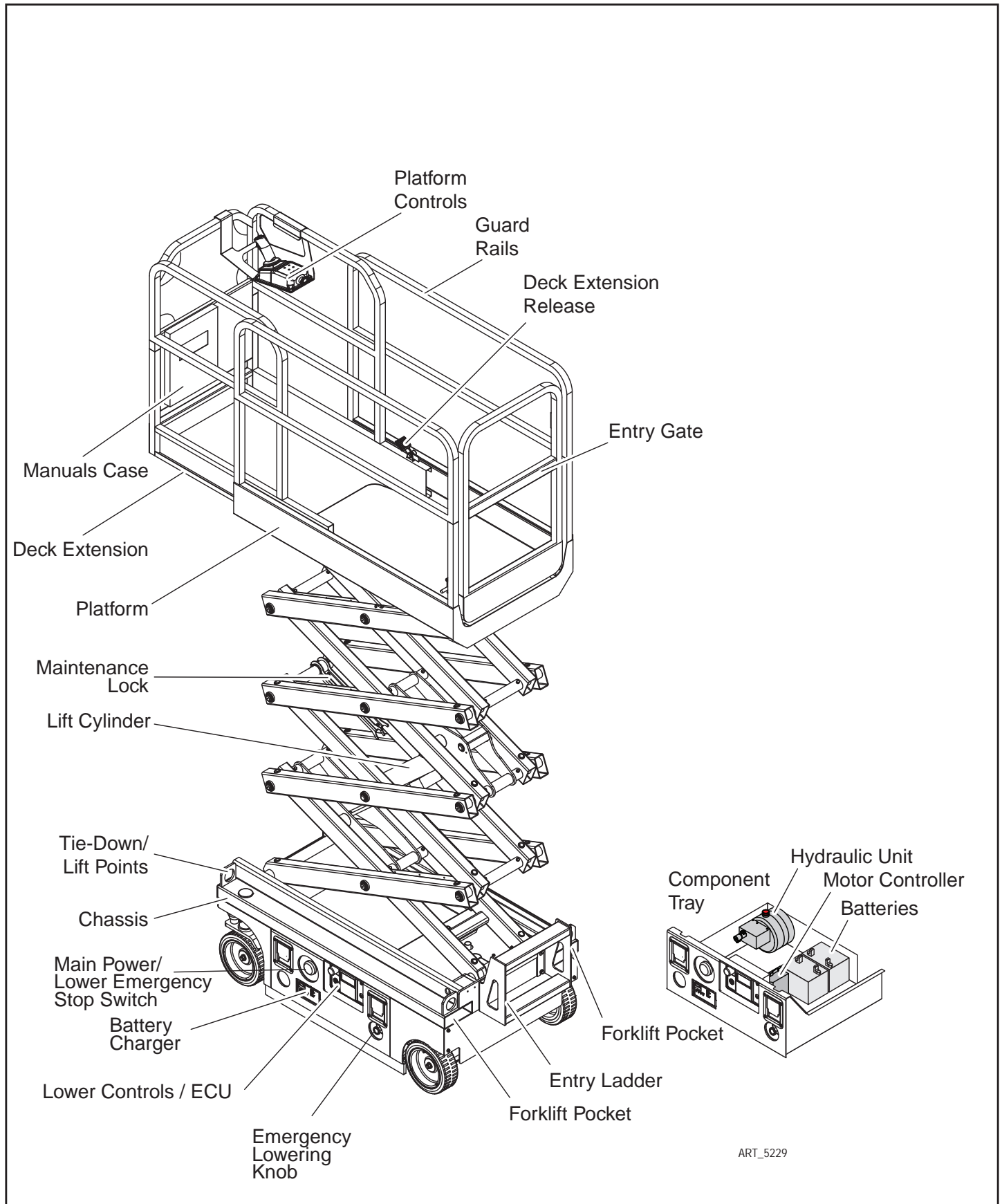
FAILURE TO PERFORM PREVENTIVE MAINTENANCE AT RECOMMENDED INTERVALS MAY RESULT IN THE UNIT BEING OPERATED WITH A DEFECT THAT COULD RESULT IN INJURY OR DEATH OF THE OPERATOR.



IMMEDIATELY REPORT TO YOUR SUPERVISOR ANY DEFECT OR MALFUNCTION. ANY DEFECT SHALL BE REPAIRED PRIOR TO CONTINUED USE OF THE AERIAL WORK PLATFORM.

INSPECTION AND MAINTENANCE SHOULD BE PERFORMED BY QUALIFIED PERSONNEL FAMILIAR WITH THE EQUIPMENT.

Primary Machine Components



ART_5229

Emergency Systems And Procedures



IF THE CONTROL SYSTEM FAILS WHILE THE PLATFORM IS ELEVATED, HAVE AN EXPERIENCED OPERATOR USE THE EMERGENCY LOWERING PROCEDURE TO SAFELY LOWER THE PLATFORM.

DO NOT ATTEMPT TO CLIMB DOWN ELEVATING ASSEMBLY.

Emergency Stop



ART_3353

The machine is equipped with an EMERGENCY STOP switch at the base controls and the platform control box.

- Press the EMERGENCY STOP switch at any time to stop all machine functions.
- Pull switch to reset.
- Either switch will stop all machine functions.
- Both switches must be reset or machine will not operate.

Emergency Lowering

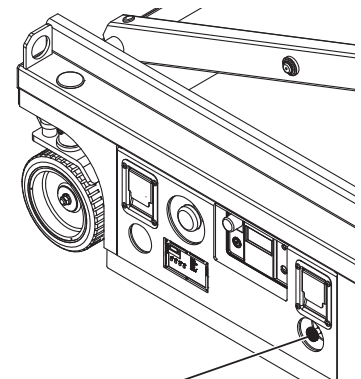


IF THE CONTROL SYSTEM FAILS WHILE THE PLATFORM IS ELEVATED, USE THE EMERGENCY LOWERING PROCEDURE TO SAFELY LOWER THE PLATFORM.

DO NOT CLIMB DOWN THE ELEVATING ASSEMBLY OR EXIT THE PLATFORM.

The Emergency Lowering System is used to lower the platform in case of power failure.

To lower the platform, pull the Emergency Lowering Knob, located near the Base Control panel.



Emergency Lowering Knob

ART_4986

Free-Wheel Configuration For Winching Or Towing

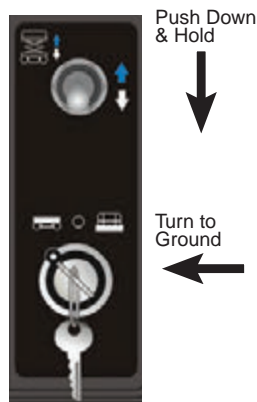
RUNAWAY HAZARD!



AFTER RELEASING THE BRAKES THERE IS NOTHING TO STOP MACHINE TRAVEL. MACHINE WILL ROLL FREELY ON SLOPES.

ALWAYS CHOCK THE WHEELS BEFORE MANUALLY RELEASING THE BRAKES.

The machine can be winched or towed short distances at speeds not to exceed 2.5 MPH (4 km/h). Before towing or winching the machine, it is necessary to release the brakes. Reset the brakes after towing or winching.



ART_4998

Disengage Brakes Before Towing Or Winching

1. Chock the wheels.
2. Turn the Key Switch to the OFF position.
3. Turn the red Emergency Stop button clockwise to the on position at both the ground and platform controls.
4. At the Ground Controls panel, press and hold the Lift/Lower Switch to the DOWN position, then turn on the Key Switch to the "Ground" position.
5. Hold the Lift/Lower Switch in this position until a continuous alarm sounds, signalling that the brake has been released.

Engage Brakes Before Driving

1. Turn the Key Switch to the OFF position to reset the brake.



BE SURE THAT THE BRAKES ARE ENGAGED BEFORE REMOVING THE WHEEL CHOCKS.

Lift And Support The Machine



DEATH OR SERIOUS PERSONAL INJURY MAY RESULT FROM THE USE OF SUBSTANDARD LIFTING DEVICES AND/OR JACK STANDS. ENSURE THAT ALL LIFTING DEVICES AND JACK STANDS ARE OF ADEQUATE CAPACITY AND IN GOOD WORKING CONDITION BEFORE USE.

The following are needed to safely lift and support the machine;

- A jack with a lifting capacity of two (2) tons or more.
- Jack stands with a rating of two (2) tons or more.

To Raise The Machine

1. Move machine to a firm level surface capable of supporting the weight of the machine.
2. Chock tires on one end of machine and raise the other end of machine.
3. Position a jack at the end of the machine to be lifted, under a solid lifting point in the center of the frame.
4. Raise the machine and place two (2) suitable jack stands under solid support points at the outer ends of the frame.
5. Lower the machine to rest on the jack stands and inspect for stability.

To Lower The Machine

1. Raise machine slightly and remove jack stands.
2. Lower the machine and remove the jack.
3. Remove chocks.

Machine Maintenance – General

Instructions in this portion of the manual are to be used in conjunction with the Pre-Start, Frequent and Annual Inspection checklists found in this machine's Operator's Manual.

IMPORTANT: Scheduled maintenance inspection checklists are included in the Operator's Manual for use only by qualified service technicians. Only qualified service technicians may perform repairs to the machine. After repairs are completed, the operator must perform a Pre-Start Inspection before proceeding to the Functions Test.



HYDRAULIC FLUID UNDER PRESSURE CAN PENETRATE AND BURN SKIN, DAMAGE EYES, AND MAY CAUSE SERIOUS INJURY, BLINDNESS, AND DEATH. REPAIR LEAKS IMMEDIATELY. FLUID LEAKS UNDER PRESSURE MAY NOT ALWAYS BE VISIBLE. CHECK FOR PIN HOLE LEAKS WITH A PIECE OF CARDBOARD, NOT YOUR HAND.



NEVER PERFORM WORK OR INSPECTION ON THE MACHINE WITH THE PLATFORM ELEVATED WITHOUT FIRST BLOCKING THE SCISSOR ASSEMBLY WITH THE MAINTENANCE LOCK (SEE THE INTRODUCTION PORTION OF THIS MANUAL).

PERFORM SCHEDULED MAINTENANCE AT RECOMMENDED INTERVALS. FAILURE TO PERFORM SCHEDULED MAINTENANCE AT RECOMMENDED INTERVALS MAY RESULT IN A DEFECTIVE OR MALFUNCTIONING MACHINE AND MAY RESULT IN INJURY OR DEATH OF THE OPERATOR. KEEP MAINTENANCE RECORDS CURRENT AND ACCURATE.

IMMEDIATELY REPORT ANY DAMAGE, DEFECT, UNAUTHORIZED MODIFICATION OR MALFUNCTION TO YOUR SUPERVISOR. ANY DEFECT MUST BE REPAIRED PRIOR TO CONTINUED USE. DO NOT USE A DAMAGED, MODIFIED OR MALFUNCTIONING MACHINE.

Never leave hydraulic components or hoses open. Plug all hoses and fitting immediately after disassembly to protect the system from outside contamination (including rain).

Never open a hydraulic system when there are contaminants in the air.

Always clean the surrounding area before opening hydraulic systems.



Use only recommended lubricants. Improper lubricants or incompatible lubricants may cause as much damage as no lubrication.

Watch for makeshift "fixes" which can jeopardize safety as well as lead to more costly repair.

Inspection and maintenance should be performed by qualified personnel familiar with the equipment.

Pre-Start Inspection Checklist

Items on this checklist should be inspected before each work shift. Refer to the Operator's Manual.

30-Day Service

The 30 day maintenance procedure is a one-time procedure to be performed after the first 30 days or 40 hours of usage. This procedure is normally performed every 150 hours or quarterly, whichever comes first.

Maintaining the tires and wheels in good condition is essential to safe operation and good performance. Tire and/or wheel failure could result in a machine tip-over. Component damage may also result if problems are not discovered and repaired in a timely fashion.

1. Check the tire surface and sidewalls for cuts, cracks, punctures and unusual wear.
2. Check each wheel for damage, bends and cracks.
3. Remove the wheel covers and check each center lock nut for proper torque.

Castle Nut Torque, Dry	19 ft-lbs / 26 Nm
Castle Nut Torque, Lubricated	14 ft-lbs / 20 Nm

Frequent Inspection Checklist



THIS CHECKLIST MUST BE USED AT 3-MONTH INTERVALS OR EVERY 150 HOURS OF MACHINE USE, WHICHEVER OCCURS FIRST. FAILURE TO DO SO COULD RESULT IN DEATH OR SERIOUS INJURY.

Frequent Maintenance Inspections should be conducted by qualified service technicians only. Photocopy the Frequent Inspection Checklist page from the Operator's Manual to keep record of this inspection. Keep inspections records up to date. Record and report all discrepancies to your supervisor.

Perform all checks listed on Pre-Start Inspection, then proceed with the following checks.

Hydraulic Fluid

Inspect the condition of hydraulic fluid in the reservoir.

Oil should be a clear and amber in color.

Batteries

Proper battery condition is essential to good machine performance and operational safety. Improper or damaged cables and connections can result in component damage and hazardous conditions.



ELECTROCUTION / BURN HAZARD. CONTACT WITH ELECTRICALLY CHARGED CIRCUITS COULD RESULT IN DEATH OR SERIOUS INJURY.

REMOVE ALL RINGS, WATCHES AND OTHER JEWELRY.



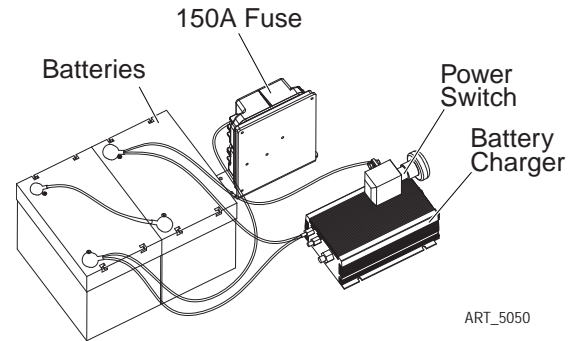
BODILY INJURY HAZARD. BATTERIES CONTAIN ACID. AVOID SPILLING OR CONTACTING BATTERY ACID. NEUTRALIZE BATTERY ACID SPILLS WITH BAKING SODA AND WATER.

1. Put on protective clothing and eye wear.
2. Slide out the component tray from the chassis.
3. Be sure that the battery cable connections are free of corrosion.

NOTE: Adding terminal protectors and a corrosion preventative sealant will help eliminate corrosion on the battery terminals and cables.

4. Be sure that the battery retainers and cable connections are tight.
5. Fully charge the batteries. Allow the batteries to rest 24 hours before performing this procedure to allow the battery cells to equalize.

6. Check each battery pack and verify that the batteries are wired correctly.
7. Inspect the battery charger plug and pigtail for damage or excessive insulation wear. Replace as required.
8. Connect the battery charger to a properly grounded 110 - 230V / 50 - 60 Hz single phase AC power supply.



- **Result:** The charger should operate and begin charging the batteries.
- **Result:** If, simultaneously, the charger alarm sounds and the LEDs blink, correct the charger connections at the fuse and battery. The charger will then operate correctly and begin charging the batteries.

NOTE: For best results, use an extension cord of adequate size with a length no longer than 50 ft / 15 m.

If you have any further questions regarding the battery charger operation, please contact the MEC Customer Service.

Electrical Wiring

Maintaining electrical wiring in good condition is essential to safe operation and good machine performance. Failure to find and replace burnt, chafed, corroded or pinched wires could result in unsafe operating conditions and may cause component damage.



ELECTROCUTION / BURN HAZARD. CONTACT WITH ELECTRICALLY CHARGED CIRCUITS COULD RESULT IN DEATH OR SERIOUS INJURY.

REMOVE ALL RINGS, WATCHES AND OTHER JEWELRY.

1. Inspect the following areas for burnt, chafed, corroded and loose wires:
 - Ground control panel
 - Hydraulic power unit module tray
 - Platform controls
1. Turn the key switch to ground control and turn the red Emergency Stop button clockwise to the on position at both the ground and platform controls
2. Raise the platform approximately 7.2 ft / 2.2 m from the ground.
3. Lift the safety arm, move it to the center of the scissor arm and rotate up to a vertical position.
4. Lower the platform onto the safety arm.



CRUSHING HAZARD. KEEP HANDS CLEAR OF THE SAFETY ARM WHEN LOWERING THE PLATFORM.

6. Inspect the center chassis area and scissor arms for burnt, chafed and pinched cables.
7. Inspect the following areas for burnt, chafed, corroded, pinched and loose wires:
 - Scissor arms
 - ECU to platform controls
 - Power to platform wiring
8. Inspect for a liberal coating of dielectric grease in the following locations:
 - Between the ECU and platform controls
 - All wire harness connectors Level sensor
9. Raise the platform and return the safety arm to the stowed position.
10. Lower the platform to the stowed position and turn the machine off.

Tires & Wheels

Maintaining the tires and wheels in good condition is essential to safe operation and good performance. Tire and/or wheel failure could result in a machine tip-over. Component damage may also result if problems are not discovered and repaired in a timely fashion.

1. Check the tire surface and sidewalls for cuts, cracks, punctures and unusual wear.
2. Check each wheel for damage, bends and cracks.
3. Remove the wheel covers and check each center lock nut for proper torque.

Castle Nut Torque, Dry	19 ft-lbs / 26 Nm
Castle Nut Torque, Lubricated	14 ft-lbs / 20 Nm

Emergency Stop

A properly functioning Emergency Stop system is essential for safe machine operation. An improperly operating red Emergency Stop button will fail to shut off power and stop all machine functions, resulting in a hazardous situation.

As a safety feature, selecting and operating from the ground controls will override all platform controls except the platform red Emergency Stop button.

1. Turn the key switch to ground control and turn the red Emergency Stop button clockwise to the on position at both the ground and platform controls.
2. Push in the red Emergency Stop button at the ground controls to the off position.
 - **Result:** No machine functions should operate.
3. Turn the key switch to platform control and turn the red Emergency Stop button clockwise to the on position at both the ground and platform controls.
4. Push in the red Emergency Stop button at the platform controls to the off position.
 - **Result:** No machine functions should operate.

NOTE: The red Emergency Stop button at the ground controls will stop all machine operation, even if the key switch is switched to platform control.

Key Switch

Proper key switch action and response is essential to safe machine operation. The machine can be operated from the ground or platform controls and the activation of one or the other is accomplished

with the key switch. Failure of the key switch to activate the appropriate control panel could cause a hazardous operating situation.

Perform this procedure from the ground using the platform controls. Do not stand in the platform.

1. Turn the red Emergency Stop button clockwise to the on position at both the ground and platform controls.
2. Turn the key switch to platform control.
3. Check the platform up/down function from the ground controls.
 - **Result:** The machine functions should not operate.
4. Turn the key switch to ground control.
5. Check the machine functions from the platform controls.
 - **Result:** The machine functions should not operate.
6. Turn the key switch to the off position.
 - **Result:** No function should operate.

Horn

The horn is activated at the platform controls and sounds at the ground as a warning to ground personnel. An improperly functioning horn will prevent the operator from alerting ground personnel of hazards or unsafe conditions.

1. Turn the key switch to platform control and turn the red Emergency Stop button clockwise to the on position at both the ground and platform controls.
2. Push down the horn button at the platform controls.
 - **Result:** The horn should sound.

Drive Brakes

Proper brake action is essential to safe machine operation. The drive brake function should operate smoothly, free of hesitation, jerking and unusual noise. Hydraulically released individual wheel brakes can appear to operate normally when not fully operational.

Perform this procedure with the machine on a firm level surface that is free of obstructions, with the platform extension deck fully retracted and the platform in the stowed position.

1. Mark a test line on the ground for reference.
2. Turn the key switch to platform control and turn the red Emergency Stop button clockwise to the on position at both the ground and platform controls.
3. Press the drive function select button.
4. Choose a point on the machine; i.e., contact patch of a tire, as a visual reference for use when crossing the test line.
5. Bring the machine to top drive speed before reaching the test line. Release the function enable switch or the joystick when your reference point on the machine crosses the test line.
6. Measure the distance between the test line and your machine reference point.
 - **Result:** The machine stops within the specified braking distance. No action required.
 - **Result:** The machine does not stop within the specified braking distance.

NOTE: The brakes must be able to hold the machine on any slope it is able to climb.

7. Replace the brakes and repeat this procedure beginning with step 1.

Maximum Braking Distance	
High Speed on paved surface	24 in ± 11.8 in
	61 cm ±30 cm

Drive Speed - Stowed

Proper drive functions are essential to safe machine operation. The drive function should respond quickly and smoothly to operator control. Drive performance should also be free of hesitation, jerking and unusual noise over the entire proportionally controlled speed range.

Perform this procedure with the machine on a firm, level surface that is free of obstructions.

1. Create start and finish lines by marking two lines on the ground 40 ft /12.2 m apart.
2. Turn the key switch to platform control and turn the red Emergency Stop button clockwise to the on position at both the ground and platform controls.
3. Lower the platform to the stowed position.
4. Press the drive function select button.
5. Choose a point on the machine; i.e., contact patch of a tire, as a visual reference for use when crossing the start and finish lines.
6. Bring the machine to top drive speed before reaching the start line. Begin timing when your reference point on the machine crosses the start line.
7. Continue at full speed and note the time when your reference point on the machine passes over the finish line. The time should be 9-11 sec.

Drive Speed - Raised

Proper drive functions are essential to safe machine operation. The drive function should respond quickly and smoothly to operator control. Drive performance should also be free of hesitation, jerking and unusual noise over the entire proportionally controlled speed range.

Perform this procedure with the machine on a firm, level surface that is free of obstructions.

1. Create start and finish lines by marking two lines on the ground 40 ft /12.2 m apart.
2. Turn the key switch to platform control and turn the red Emergency Stop button clockwise to the on position at both the ground and platform controls.
3. Press the lift function select button.
4. Press and hold the function enable switch on the joystick.
5. Raise the platform approximately 4 ft /1.2 m from the ground.
6. Press the drive function select button.
7. Choose a point on the machine; i.e., contact patch of a tire, as a visual reference for use when crossing the start and finish lines.
8. Bring the machine to top drive speed before reaching the start line. Begin timing when your reference point on the machine crosses the start line.
9. Continue at full speed and note the time when your reference point on the machine passes over the finish line. The time should be 35-40 sec.

Drive Speed - Slow

Proper drive functions are essential to safe machine operation. The drive function should respond quickly and smoothly to operator control. Drive performance should also be free of hesitation, jerking and unusual noise over the entire proportionally controlled speed range.

Perform this procedure with the machine on a firm, level surface that is free of obstructions.

1. Create start and finish lines by marking two lines on the ground 40 ft /12.2 m apart.
2. Turn the key switch to platform control and turn the red Emergency Stop button clockwise to the on position at both the ground and platform controls.
3. Lower the platform to the stowed position.
4. Press the slow speed select button.
5. Choose a point on the machine; i.e., contact patch of a tire, as a visual reference for use when crossing the start and finish lines.
6. Bring the machine to top drive speed before reaching the start line. Begin timing when your reference point on the machine crosses the start line.
7. Continue at full speed and note the time when your reference point on the machine passes over the finish line. The time should be 18-22 sec.

Hydraulic Oil Analysis

Replacement or testing of the hydraulic oil is essential for good machine performance and service life. Dirty oil may cause the machine to perform poorly and continued use may cause component damage. Extremely dirty conditions may require oil changes to be performed more often.

Before replacing the hydraulic oil, the oil may be tested by an oil distributor for specific levels of contamination to verify that changing the oil is necessary.

Hydraulic oil should be tested yearly and replaced if it fails. If the hydraulic oil is not replaced at the Annual Inspection, test the oil quarterly. Replace the oil when it fails the test.

Tank Venting System

A free-breathing hydraulic tank cap is essential for good machine performance and service life. A dirty or clogged cap may cause the machine to perform poorly. Extremely dirty conditions may require that the cap be inspected more often.

1. Remove the breather cap from the hydraulic tank.
2. Check for proper venting.
 - **Result:** Air passes through the breather cap.
 - **Result:** If air does not pass through the cap, clean or replace the cap. Proceed to step 3.

NOTE: When checking for positive tank cap venting, air should pass freely through the cap.

3. Using a mild solvent, carefully wash the cap venting system. Dry using low pressure compressed air. Repeat step 2.
4. Install the breather cap onto the hydraulic tank.

Annual Inspection Checklist



THIS CHECKLIST MUST BE USED AT 12-MONTH INTERVALS OR EVERY 600 HOURS OF MACHINE USE, WHICHEVER OCCURS FIRST. FAILURE TO DO SO COULD RESULT IN DEATH OR SERIOUS INJURY.

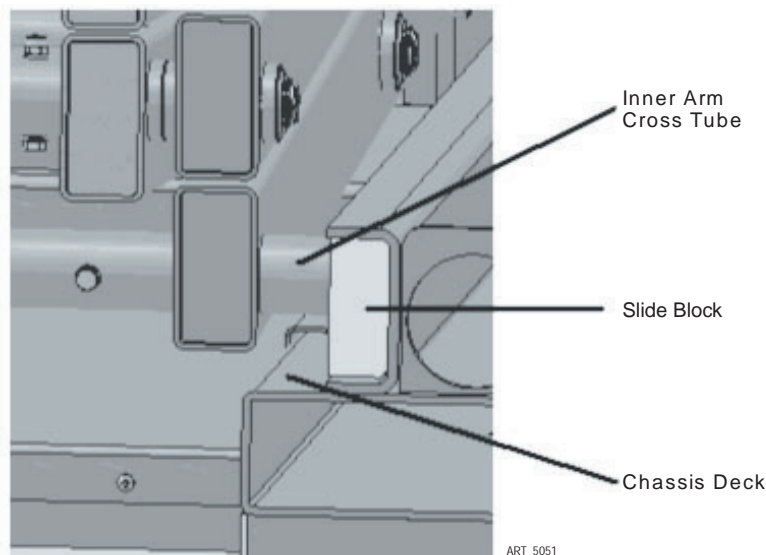
Annual Maintenance Inspections should be conducted by qualified service technicians only. Photocopy the Annual Inspection Checklist page from the Operator's Manual to keep record of this inspection. Keep inspections records up to date. Record and report all discrepancies to your supervisor.

Perform all checks listed on Pre-Start Inspection and the Frequent Inspection, then check all items listed on the Annual Inspection Report. See specific instructions below.

Scissor Slide Blocks

Maintaining the condition of the scissor arm slide blocks is essential to safe machine operation. Continued use of worn out wear pads may result in component damage and unsafe operating conditions.

Perform this procedure with the platform in the stowed position.



1. Measure the distance between the number one inner arm cross tube and the chassis deck at the ground controls side of the non-steer end of the machine.
 - **Result:** The measurement is 1.18 in / 30 mm or more. Proceed to step 2.
 - **Result:** The measurement is less than 1.18 in / 30 mm. Replace both wear pads.
2. Measure the distance between the number one inner arm cross tube and the chassis deck at the battery pack side of the non-steer end of the machine.
 - **Result:** The measurement is 1.18 in / 30 mm or more. Proceed to step 3.
 - **Result:** The measurement is less than 30mm. Replace both wear pads.
3. Apply a thin layer of dry film lubricant to the area of the chassis where the scissor arm wear pads make contact.

Hydraulic Tank Breather Cap

The hydraulic tank is a vented-type tank. The breather cap has an internal air filter that can become clogged or, over time, can deteriorate. If the breather cap is faulty or improperly installed, impurities can enter the hydraulic system which may cause component damage. Extremely dirty conditions may require that the cap be inspected more often.

1. Remove and discard the hydraulic tank breather cap.
2. Install a new cap onto the tank.

Hydraulic Oil Inspection

Replacement or testing of the hydraulic oil is essential for good machine performance and service life. Dirty oil may cause the machine to perform poorly and continued use may cause component damage. Extremely dirty conditions may require oil changes to be performed more often.

Before replacing the hydraulic oil, the oil may be tested by an oil distributor for specific levels of contamination to verify that changing the oil is necessary.

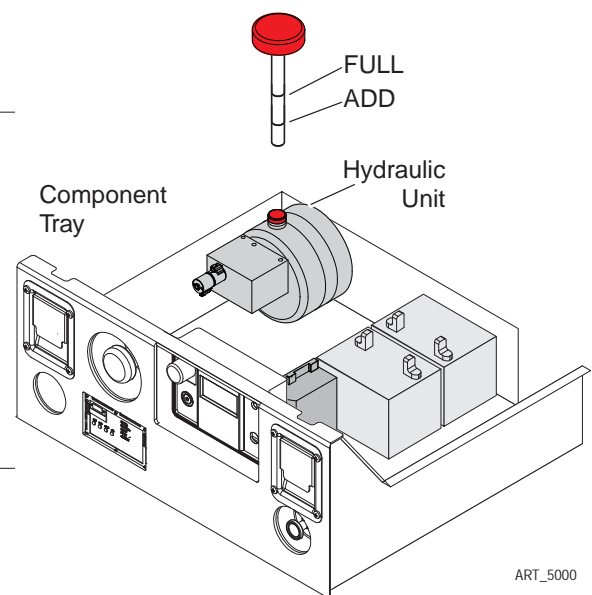
Hydraulic oil should be tested yearly and replaced if it fails. If the hydraulic oil is not replaced at the Annual Inspection, test the oil quarterly. Replace the oil when it fails the test.

NOTE: Perform this procedure with the platform in the stowed position.

1. Slide out the Component Tray.
2. Disconnect the battery pack from the machine.

ELECTROCUTION / BURN HAZARD. CONTACT WITH ELECTRICALLY CHARGED CIRCUITS COULD RESULT IN DEATH OR SERIOUS INJURY.

REMOVE ALL RINGS, WATCHES AND OTHER JEWELRY.



ART_5000

3. Tag and disconnect the hydraulic pump outlet line and remove the line from the pump. Cap the fitting on the pump.
4. Loosen the bolts and remove the hydraulic power pack from the tray.
5. Open the oil plug of tank. Drain all of the oil into a suitable container.
6. Loosen and remove the bolts and separate the tank from the pump body.

BODILY INJURY HAZARD. SPRAYING HYDRAULIC OIL CAN PENETRATE AND BURN SKIN. LOOSEN HYDRAULIC CONNECTIONS VERY SLOWLY TO ALLOW THE OIL PRESSURE TO DISSIPATE GRADUALLY. DO NOT ALLOW OIL TO SQUIRT OR SPRAY.

! WARNING

7. Clean up any oil that may have spilled. Properly discard the used oil.
8. Clean the inside of the hydraulic tank using a mild solvent. Allow the tank to dry completely.
9. Install the hydraulic tank and install and tighten the hydraulic tank retaining fasteners.

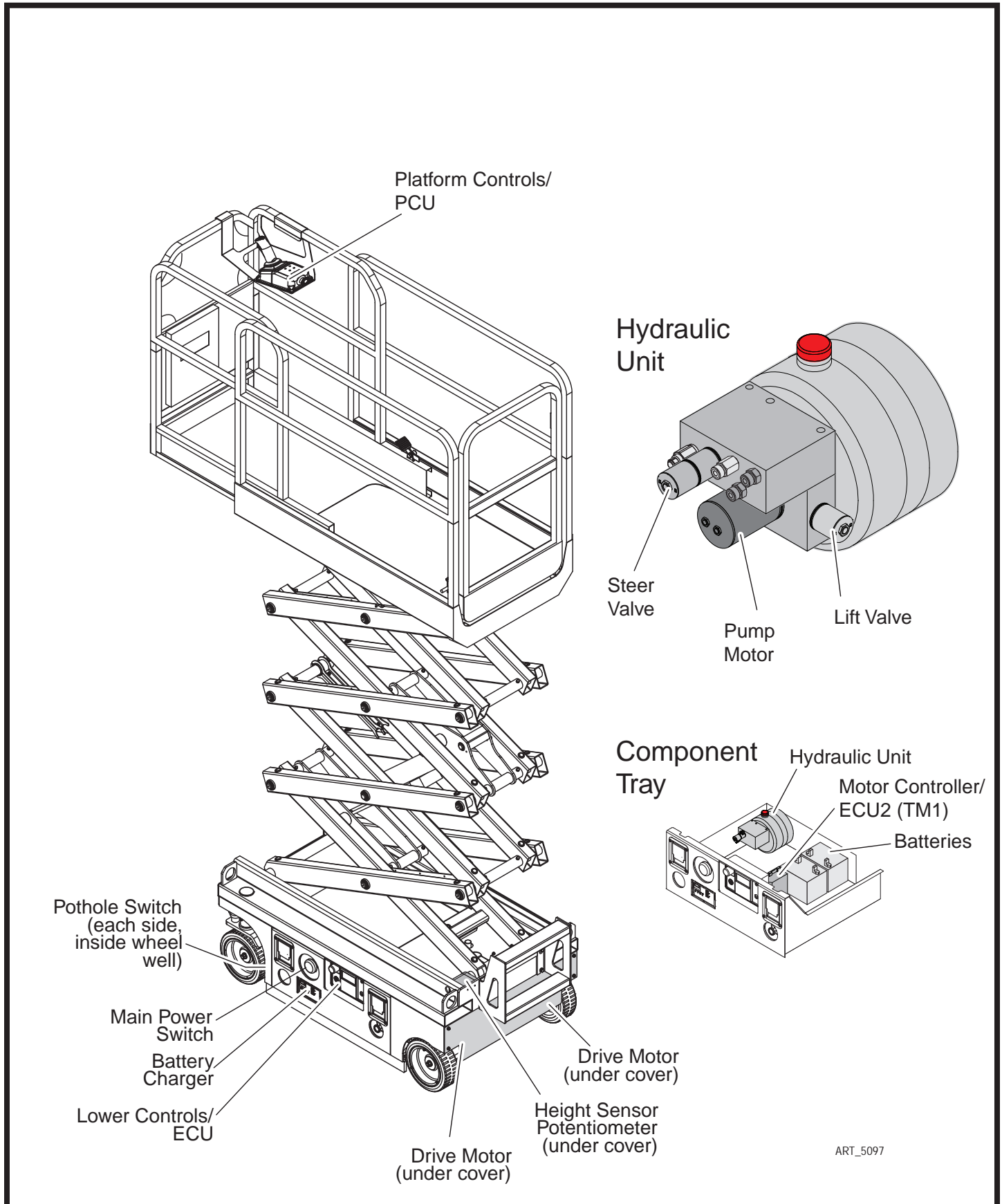
Hydraulic Tank Retaining Fasteners, Dry	35 in-lbs / 4 Nm
Hydraulic Tank Drain Plug, Lubricated	26 in-lbs / 3 Nm

10. Install the hydraulic power pack into the component tray. Install the fitting and hydraulic hoses onto the hydraulic power pack and torque.
11. Fill the tank with hydraulic oil to the middle of the dipstick. Do not overfill.
12. Activate the pump to fill the hydraulic system with oil and bleed the system of air.



COMPONENT DAMAGE HAZARD. THE PUMP CAN BE DAMAGED IF OPERATED WITHOUT OIL. BE CAREFUL NOT TO EMPTY THE HYDRAULIC TANK WHILE IN THE PROCESS OF FILLING THE HYDRAULIC SYSTEM. DO NOT ALLOW THE PUMP TO CAVITATE.

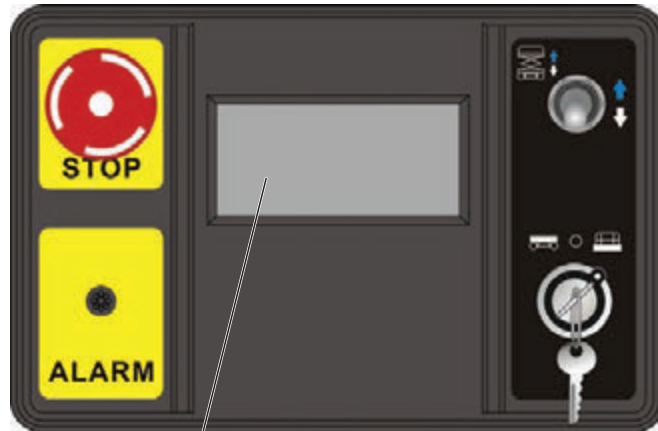
Control Component Locations



Fault Codes

Fault Codes, when present, appear on the LED Indicator at the Upper Controls station and on the LCD Screen at the Lower Controls station.

Lower Controls - To Serial #16300001-16301160



LCD Screen

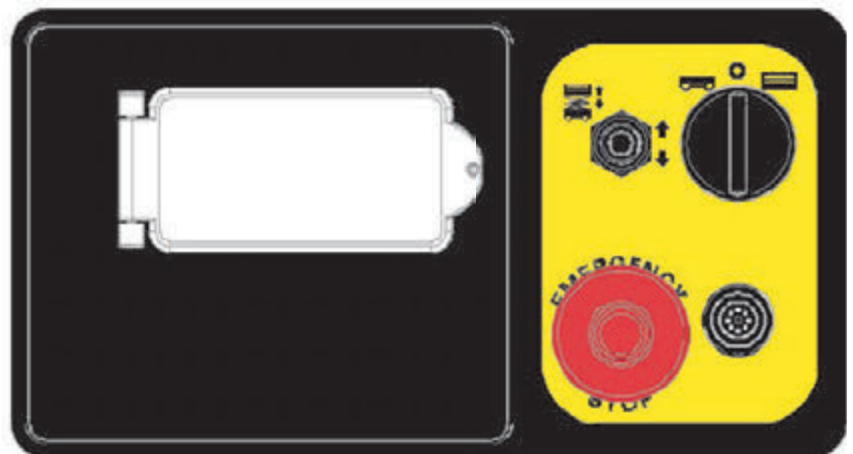
ART_5052

Upper Controls



LED Indicator

Lower Controls - From Serial #163011610-16307699



LCD Screen

Fault	Description	Disables	Possible Solutions
51	ECU alarm	All functions	1. Look for other codes
52	PCU alarm	All functions	1. Look for other codes
53	TM1 alarm	All functions	1. Look for other codes
54	Pressure sensor fault (Not equipped)	All functions	1. Reset machine model 2. Replace ECU

Fault	Description	Disables	Possible Solutions
55	Lock traction if cage is up (Not equipped)	Drive & lift	<ol style="list-style-type: none"> 1. Calibrate height 2. Calibrate level 3. Reset machine model 4. Replace ECU
58	Pothole guard fault	Drive & lift	<ol style="list-style-type: none"> 1. Check height sensor 2. Check pothole switches 3. Recalibrate height
59	High position limit	Lift	<ol style="list-style-type: none"> 1. Normal max height reached 2. Recalibrate height
60	Outdoor 2.5m limit	Lift	<ol style="list-style-type: none"> 1. Reset machine model
63	Anti-Hand clamp	Descend	<ol style="list-style-type: none"> 1. Turn off in settings
66	Battery low	Lift & Drive in stowed position	<ol style="list-style-type: none"> 1. Charge batteries. 2. Check Charger output
67	Obstacle at below	Drive	<ol style="list-style-type: none"> 1. Reset machine model
68	Door open	Drive & lift	<ol style="list-style-type: none"> 1. Reset machine model
70	Pothole fault	Drive & lift	<ol style="list-style-type: none"> 1. Reset machine model
71	Cage side open	Drive & lift	<ol style="list-style-type: none"> 1. Reset machine model
72	Chain loose	Drive & Descend	<ol style="list-style-type: none"> 1. Reset machine model
73	Front radar	Drive	<ol style="list-style-type: none"> 1. Reset machine model
74	Anti-Collision	Lift	<ol style="list-style-type: none"> 1. Reset machine model
75	Back-up	None	<ol style="list-style-type: none"> 1. Reset machine model
88	NOT A CODE (PCU powered but ECU is not)	All functions	<ol style="list-style-type: none"> 1. Check battery voltage 2. Check 2 amp fuse 3. Check 24 volt relay 4. Check stack cable and coil cord for damage
90	TM1 PCB hot	Alarm only	<ol style="list-style-type: none"> 1. Allow machine to cool down
92	TM parameter over limit	Alarm only	<ol style="list-style-type: none"> 1. Reset machine characteristics 2. Remove anti-hand clamp
93	TM parameter over limit	Alarm only	<ol style="list-style-type: none"> 1. Reset machine characteristics 2. Remove anti-hand clamp
95	Empty load calibration not done (Not overload Equipped)	Alarm only	<ol style="list-style-type: none"> 1. Reset machine characteristics 2. Remove anti-hand clamp
96d	Load calibration not done (Not overload Equipped)	Alarm only	<ol style="list-style-type: none"> 1. Reset machine characteristics 2. Remove anti-hand clamp
98	Brake release	Alarm only	<ol style="list-style-type: none"> 1. Brake manually released
99	By pass	Alarm only	
101	ECU E2prom alarm	All functions	<ol style="list-style-type: none"> 1. Reset machine characteristics 2. Replace ECU
102	ECU watchdog fault	All functions	<ol style="list-style-type: none"> 1. Check for other codes
105	Initialize date logger	None	<ol style="list-style-type: none"> 1. Check for other codes
107	TM parameter modified	None	<ol style="list-style-type: none"> 1. Check for other codes
108	Password inserted	None	<ol style="list-style-type: none"> 1. Password entered
110	Can-bus timeout 1PCU	All functions	<ol style="list-style-type: none"> 1. Check battery voltage 2. Check com cable connections 3. Replace upper box

Fault	Description	Disables	Possible Solutions
111	Can-bus timeout 2PCU	All functions	1. Check battery voltage 2. Check com cable connections 3. Replace upper box
112	Can-bus timeout 1PCU	All functions	1. Check battery voltage 2. Check com cable connections 3. Replace upper box
113	Can-bus timeout 2PCU	All functions	1. Check battery voltage 2. Check com cable connections 3. Replace upper box
114	Can-bus timeout TM	All functions	1. Check wiring between ECU and TM
116	Pressure sensor Redundant	All functions	1. Not equipped with overload
117	Analog scissor angle redundant	All functions	1. Faulty angle sensor 2. Harness damage
118	Tilt x redundant	All functions	1. ECU not mounted
119	Tilt y redundant	All functions	1. ECU not mounted
120	Key switch input fault	All functions	1. Replace key switch
121	Toggle switch input fault	All functions	1. Check lift toggle
122	Pin29 redundant fault	All functions	
123	Pin30 redundant fault	All functions	
124	Pin32 redundant fault	All functions	
125	Pin33 redundant fault	All functions	
126	Pin06 redundant fault	All functions	
127	Pin34 redundant fault	All functions	
128	Pin45 redundant fault	All functions	
129	Pin46 redundant fault	All functions	
130	Pin47 redundant fault	All functions	
131	Pin48 redundant fault	All functions	
132	Pin49 redundant fault	All functions	
133	Pin50 redundant fault	All functions	
134	Pin19 redundant fault	All functions	
135	Pin20 brake redundant	All functions	
136	Pin23 M1 redundant	All functions	
137	Pin24 M2 redundant	All functions	
138 139 140 141 142 143 144	Pressure sensor open circuit (Not overload equipped)	All functions	1. Reset machine characteristics 2. Remove anti-hand clamp
145	Pressure sensor N.2 higher than threshold	All functions	1. See 138 - 144
146	Analog scissor angle sensor open circuit	All functions	1. Check height sensor wiring
147	Analog scissor angle open circuit to power	All functions	1. Check height sensor wiring
148	Analog scissor value lower than min	All functions	1. Check height sensor
149	Analog scissor angle greater than man	All functions	1. Check height sensor

Fault	Description	Disables	Possible Solutions
150	Analog scissor angle short to ground	All functions	1. Check height sensor
151	Analog scissor angle short	All functions	1. Check height sensor
152	Analog scissor angle value lower than min	All functions	1. Check height sensor
153	Analog scissor angle value greater than max	All functions	1. Check height sensor
154	Back up	None	
155	Back up	None	
156	Emergency down interrupt	Descend	1. Turn off in settings
157	Back up	None	
158	Back up	None	
159	Back up	None	
160	PIN01 out00 short to +VB	All functions	
161	PIN01 out00 internal fault	All functions	
162	PIN out00 check fault	All functions	
163	PIN01 out00 open circuit	All functions	1. Check down valve wire
164	PIN01 out00 short circuit	All functions	1. Check down valve wire
165	PIN02 out01 short to +VB	All functions	
166	PIN02 out01 internal fault	All functions	
167	PIN02 out01 check fault	All functions	
168	PIN02 out01 open circuit	All functions	
169	Pin02 out01 short circuit	All functions	
170	PIN04 out02 short to +VB	All functions	
171	PIN04 out02 internal fault	All functions	
172	PIN04 out02 check fault	All functions	
173	PIN04 out02 open circuit	All functions	
174	PIN04 out02 short circuit	All functions	
175	PIN05 out03 short to +VB	All functions	
176	PIN05 out03 internal fault	All functions	
177	PIN05 out03 check fault	All functions	
178	PIN05 out03 open circuit	All functions	
179	Pin05 out03 short circuit	All functions	
180	PIN08 out04 short to +VB	All functions	
181	PIN08 out04 internal fault	All functions	
182	PIN08 out04 check fault	All functions	
183	PIN08 out04 open circuit	All functions	
184	PIN08 out04 short circuit	All functions	
185	PIN09 out05 short to +VB	All functions	
186	PIN09 out05 internal fault	All functions	
187	PIN09 out05 check fault	All functions	
188	PIN09 out05 open circuit	All functions	
189	PIN09 out05 short circuit	All functions	
190	PIN11 out06 short to +VB	All functions	
191	PIN11 out06 internal fault	All functions	
192	PIN11 out06 check fault	All functions	

Fault	Description	Disables	Possible Solutions
193	PIN11 out06 open circuit	All functions	
194	PIN11 out06 short circuit	All functions	
195	PIN13 out07 short to +VB	All functions	
196	PIN13 out07 internal fault	All functions	
197	PIN13 out07 check fault	All functions	
198	PIN13 out07 open circuit	All functions	
199	PIN17 out07 short circuit	All functions	
200	Back up	None	
201	TM1_ERR_PUMP_CURR ENT_ SENSOR_OFFSE	All functions	
202	TM1_ERR_TRAC1_CUR RENT_ SENSOR_OFFSE T	All functions	1. Does not apply
203	TM1_ERR_TRAC2_CUR RENT_ SENSOR_OFFSE T	All functions	
204	TM1_ERR_LOAD_HW_P ARAMETER	All functions	
205	TM1_ERR_LOAD_ PARAMETER	All functions	
210	TM1_ERR_POWER_SU PPLY_OUT_ OF_LIMIT	All functions	
211	TM1_ERR_POWER_REL AY_STUCK	All functions	1. Contactor stuck
212	TM1_ERR_PRECHARGE_ NOT_DONE	All functions	1. Check 150A fuse 2. Contactor not closing
213	TM1_ERR_POWER_REL AY_OPEN	All functions	1. See fault 312 2. Contactor not closing
214	M1 short circuit (Right drive motor)	All functions	1. Check drive motor terminals 2. Replace drive motor
215	M2 short circuit (Left drive motor)	All functions	1. Check drive motor terminals 2. Replace drive motor
216	Pump short circuit	All functions	1. Brushes sticking in motor 2. Tap on casing 3. Replace pump motor
220	TM1_ERR_PUMP_OVER_ CURRENT	All functions	1. Check connections to pump 2. Replace pump motor
221	TM1_ERR_TRAC1_OVE R_CURRENT	All functions	1. Brake stuck 2. Motor failure
222	TM1_ERR_TRAC2_OVE R_CURRENT	All functions	1. Brake stuck 2. Motor failure
223	TM1_ERR_UNDER_ TEN SION	All functions	1. Contactor stuck closed
224	TM1_ERR_UNDER_ TEN SION	All functions	1. TM capacitor low voltage 2. Check contactor
225	TM1_ERR_HIGH_TEMP_ PCB	All functions	
226	TM1_ERR_HIGH_TEMP_ RADIATOR	All functions	
227	TM1_ERR_OUT1_OVER_ CURRENT	All functions	

Fault	Description	Disables	Possible Solutions
228	TM1_ERR_OUT2_OVER_CURRENT	All functions	
229	TM1_ERR_OUT3_OVER_CURRENT	All functions	
230	TM1_ERR_WDO	All functions	1. Key switch cycled too fast 2. Cycle power
231	TM1_ERR_WDO error	All functions	1. Key switch cycled too fast 2. Cycle power
232	AL_TM_Pump motor open	All functions	1. Brushes sticking in motor 2. Tap casing Replace motor
233	AL_TM_M1 open (Right drive motor)	All functions	1. Check connections to drive motor
234	AL_TM_M2 open (left drive motor)	All functions	1. Check connections to drive motor
235	AL_TM_M1 wiring	All functions	1. Check connections on both drive motors
236	AL_TM_M2 wiring	All functions	1. Check connections on both drive motors
237	AL_TM excitation open	All functions	
238	AL_TM_excitation wiring	All functions	
239	Battery under voltage	All functions	1. Charge batteries
280	AL_PCU_initcheck (Self-check error)	All functions	1. Recalibrate joystick 2. Replace upper control box
281	PCU_C0 fault code	All functions	1. Bad inverter Recalibrate joystick
282	PCU_C1 fault code	All functions	1. Bad inverter 2. Recalibrate joystick
283	PCU redundant error	All functions	1. Cycle option setting 2. Recalibrate joystick 3. Replace upper box
300	Out08 short to +VB	All functions	
301	Out08 internal fault	All functions	
302	Out08 check fault	All functions	
303	Out08 open circuit	All functions	
304	Out08 short circuit	All functions	
305	Out09 short to +VB (beacon light output)	All functions	1. Check wiring to beacon light 2. Shorted beacon light 3. Remove telematics
306	Out09 internal fault	All functions	1. Check pin 18 on ECU
307	Out09 check fault	All functions	1. Check pin 18 on ECU
308	Out09 open circuit	All functions	1. Check pin 18 on ECU
309	Out09 short circuit	All functions	1. Check pin 18 on ECU
310	Out10 short to +VB	All functions	
311	Out10 internal fault	All functions	
312	Out10 check fault	All functions	
313	Out10 open circuit	All functions	
314	Out10 short circuit	All functions	
315	Relay0 short to +VB	All functions	
316	Relay0 internal fault	All functions	
317	Relay0 check fault	All functions	

Fault	Description	Disables	Possible Solutions
318	Relay0 open circuit	All functions	1. Clear fault log
319	Relay0 short circuit	All functions	
320	Brake1 short to +VB	All functions	1. See 323
321	Brake1 internal fault	All functions	1. See 323
322	Brake1 check fault	All functions	1. See 323
323	Brake1 open circuit (Right brake)	All functions	1. Check wires to both brakes 2. Brakes resistance 46 ohms
324	Brake1 short circuit	All functions	1. See 323
325	Brake2 short to +VB	All functions	1. See 323
326	Brake2 internal fault	All functions	1. See 323
327	Brake2 check fault	All functions	1. See 323
328	Brake2 open circuit (Left brake)	All functions	1. Check wires to both brakes 2. Brakes are 46 ohms
329	Brake2 short circuit	All functions	1. See 323
OL	Overload	Drive & lift	2. Remove weight in platform
LL	Tilted on X or Y axis	Drive & lift	3. Recalibrate level

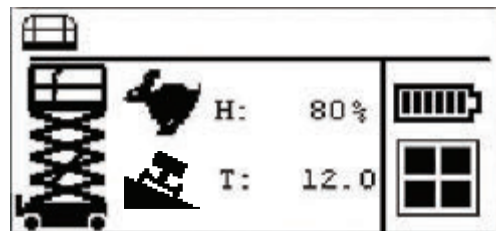
Parameter Adjustment










PARAMETERS SHOULD BE ADJUSTED ONLY IF THE FUNCTION IS OPERATING OUTSIDE OF MACHINE SPECIFICATIONS, OR IF WRITTEN APPROVAL IS OBTAINED FROM MEC PRIOR TO MAKING THE CHANGE.

Main Screen Display

The following screen is displayed during normal machine operation at the Base Controls station. Not all of the icons shown appear all of the time.



ART_5067

Icon		Description
Platform Operation		The upper left corner will indicate either Platform or Base operation, depending on the position of the Key Switch.
Base Operation		
High Speed		The High or Low Speed drive icon display the drive speed selected at the Platform Controls.
Low Speed		Low Speed is automatically selected when the platform is elevated.
Tilt		This icon is displayed when the angle of the ground exceeds the allowable tilt angle with the platform elevated.
Battery		This icon displays the current charge state of the battery pack.
Hour Meter	T: 12.0	Hour Meter indicates total elapsed time of machine operation.
Height Indicator	H: 80%	Displays the lift height by percentage. 0% indicates the stowed position, while 100% indicates that the platform is fully elevated.
Menu		Press the Menu button to reach additional menus.

The top line of the Main Display Screen is normally blank but will display the date and time when touched.

2015 - 4 - 21 10 : 30 : 55
 54. PRESS SENSOR ERROR
 101. E2promAlarm

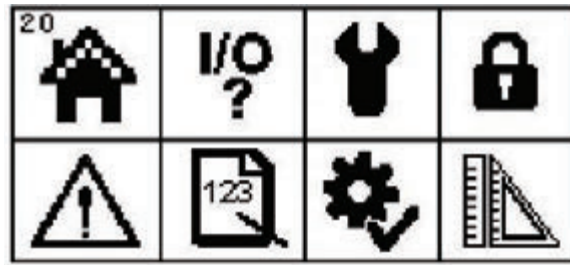
This area automatically displays fault, alarm and machine-state codes when present.

ART_5077








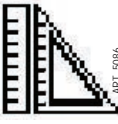
The touch screen does not work when a warning or alarm is displayed.

Menu Screen Display

The Menu Screen is reached by pressing the Menu icon on the main screen.

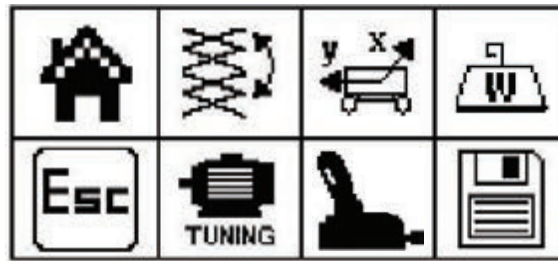


ART_5078

Icon	Description
 ART_5079	Return to Main Screen
 ART_5080	Access ECU/PCU/TM diagnostic screen
 ART_5081	Access Tool Settings screen
 ART_5082	Access Password Input screen
 ART_5083	Access Fault Record screen
 ART_5084	Access Parameters Settings screen (requires password)
 ART_5085	Access Machine Settings screen
 ART_5086	Access Calibration screen




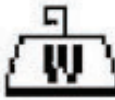



Calibration Screen Display

The Menu Screen is reached by pressing the Calibration icon on the main screen.



ART_5087

An access code is necessary for some calibration screens. Contact MEC Customer Service for assistance.

Icon	Description
 <small>ART_5079</small>	Return to Main Screen
 <small>ART_5089</small>	Access Height Calibration
 <small>ART_5090</small>	Access Tilt Calibration
 <small>ART_5088</small>	Not used.
 <small>ART_5091</small>	Access Drive Motor Calibration
 <small>ART_5511</small>	Joystick
 <small>ART_5092</small>	Save

Height Calibration

Perform the Height Calibration on a flat, level surface with sufficient overhead clearance to allow full elevation.

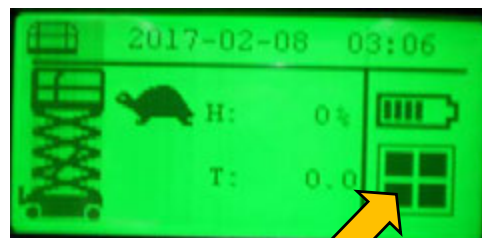
Press the left and right arrows at the top of this screen to find the lowest, then highest platform

positions. Follow the prompts below to calibrate.



ALL SYSTEM SAFETIES ARE DISABLED WHEN IN CALIBRATION MODE. NORMAL FUNCTION RETURNS UPON EXIT.

1. Power the machine up by pulling out the Upper Emergency Stop Switch. Pull out the Battery Switch and turn the Key Switch to the BASE position.
2. Allow the touch pad to display the home screen.
3. Touch the "Windows" icon.



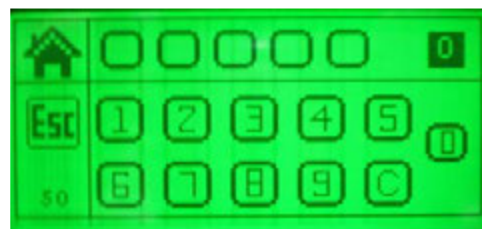
ART_5773A

4. Touch the "Lock" icon.



ART_5773B

5. Touch code 4482 on the number pad. Once 4482 has been entered correctly the display will return the menu shown in the previous step. If not, press ESC and repeat step 4 and 5.



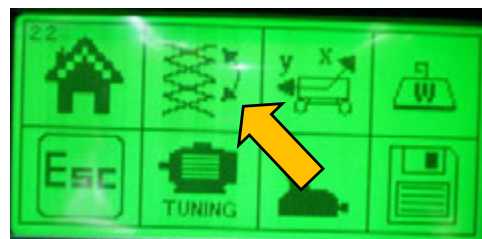
ART_5773C

6. Touch the "Ruler" icon.



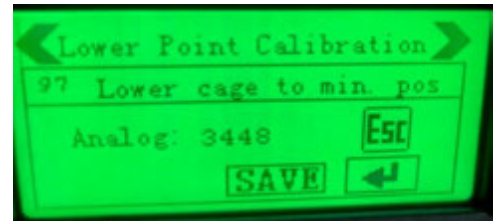
ART_5773D

7. Touch the "Scissor Stack" icon.



ART_5773E

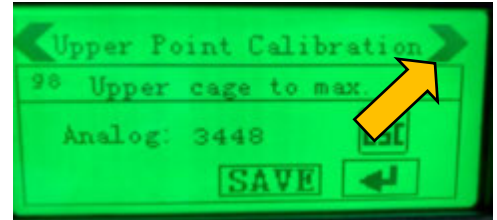
- This screen will appear. At this point you want to make sure your lift is in the fully stowed position. Once it is in the stowed position press ↓ the to enter the information.



ART_5773F

- Press the SAVE key to save the lower point calibration. Allow the machine to finish beeping before moving on.

- Use the upper arrows to change point of calibration. The selection you are looking for is Upper Point Calibration.



ART_5773G

- At this point you will lift the machine to its full extent. Once the machine is at its full extent press the ↓ to enter the height, then the SAVE to save the upper point calibration. Allow the machine to finish beeping. Return the machine to the fully stowed position. Power down the machine then turn it back on and test functions.

Tilt Calibration

The Tilt Sensor is integrated with the Control Module. Perform the Tilt Calibration on a flat, level surface.

Press the left and right arrows at the top of this screen to change between the X Axis and Y Axis screens. The X Axis is the machine's fore-and-aft axis. The Y Axis is the machine's side-to-side axis.



WARNING

ALL SYSTEM SAFETY FEATURES ARE DISABLED WHEN IN CALIBRATION MODE. NORMAL FUNCTION RETURNS UPON EXIT.

- Power the machine up by pulling out the Upper Emergency Stop Switch. Pull out the Battery Switch and turn the Key Switch to the BASE position.
- Allow the touch pad to display the home screen
- Touch the "Windows" icon



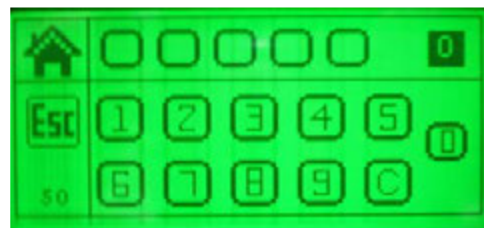
ART_5774A

4. Touch the "Lock" icon.



ART_5774B

5. Touch code 4482 on the number pad. Once 4482 has been entered correctly the display will return the menu shown in the previous step. If not, press ESC and repeat step 4 and 5.



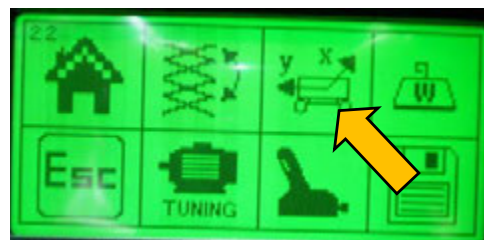
ART_5774C

6. Touch the "Ruler" icon.



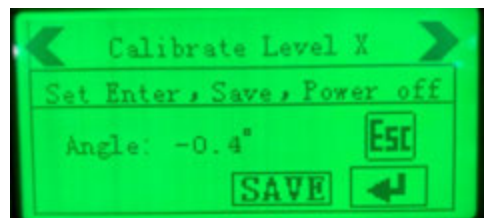
ART_5774D

7. Touch the "Scissor Base" icon.



ART_5774E

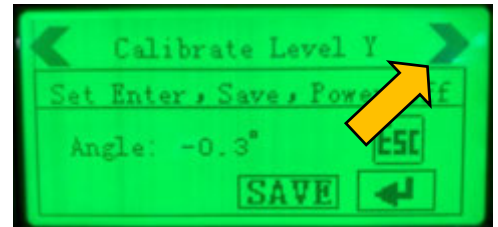
8. This screen will appear. At this point you want to make sure your lift is in a level position. Once it is in the level position press the ↵ to enter the information.



ART_5774F

9. Press the SAVE key to save the X level calibration. Allow the machine to finish beeping before moving on.

10. Use the upper arrows to change axis of calibration. The selection you are looking for CALIBRATE LEVEL Y.



ART_5774G

11. At this point the machine should still be in the level position and you will want to press the ↓ to enter the Y axis level into the system.
12. Press the SAVE key to save the Y level calibration.
13. Press the ESC key to return to the previous screen.
14. Press the floppy disk, in the lower right hand corner to save the calibration to the system.



ART_5774H

15. Allow the machine to finish beeping. Once the machine is done beeping you can shut it down and then turn it back on and you are complete.

Hydraulic Unit

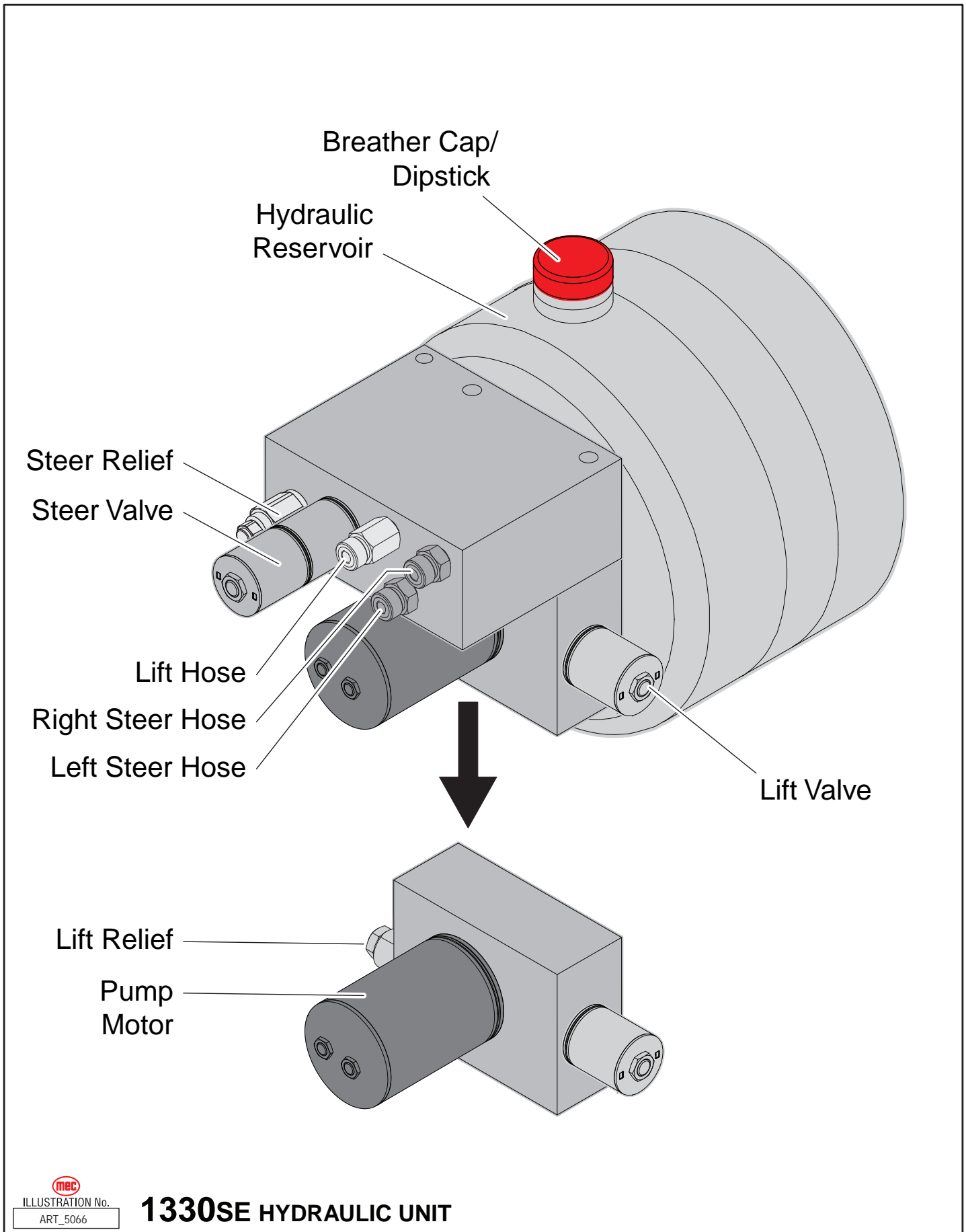



ILLUSTRATION No.
ART_5066

1330SE HYDRAULIC UNIT

Electrical Schematic

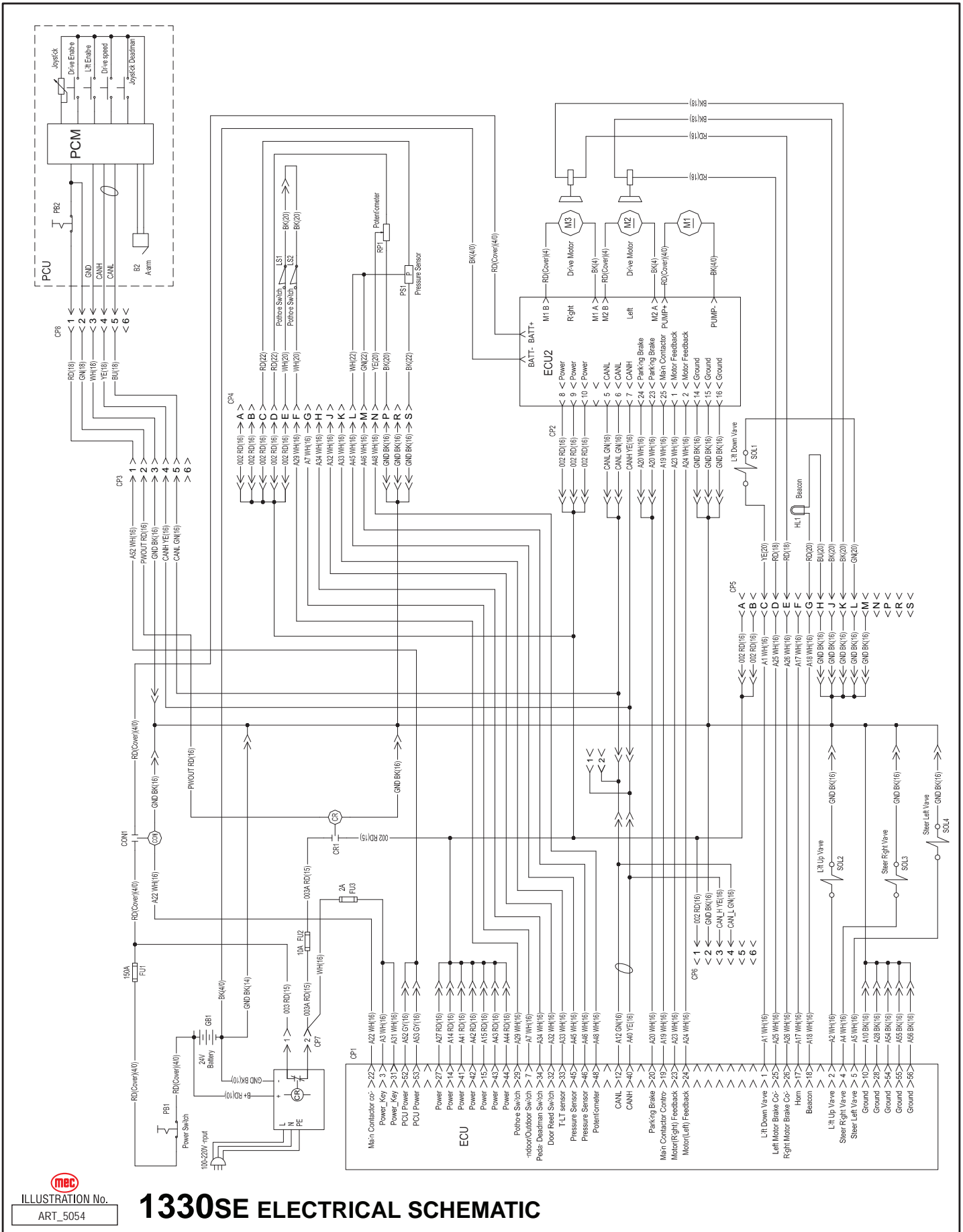
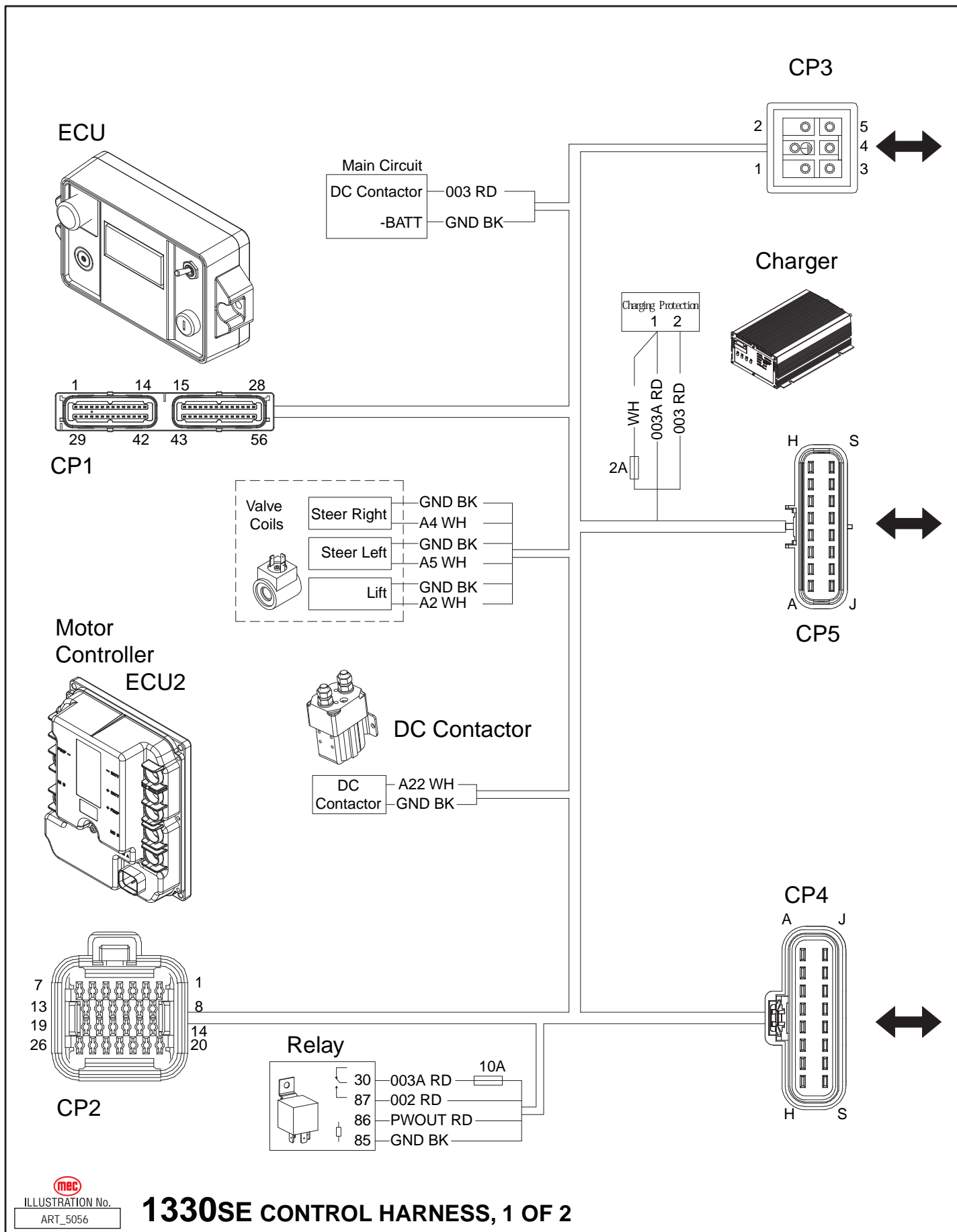


ILLUSTRATION No. **1330SE ELECTRICAL SCHEMATIC**
 ART_5054



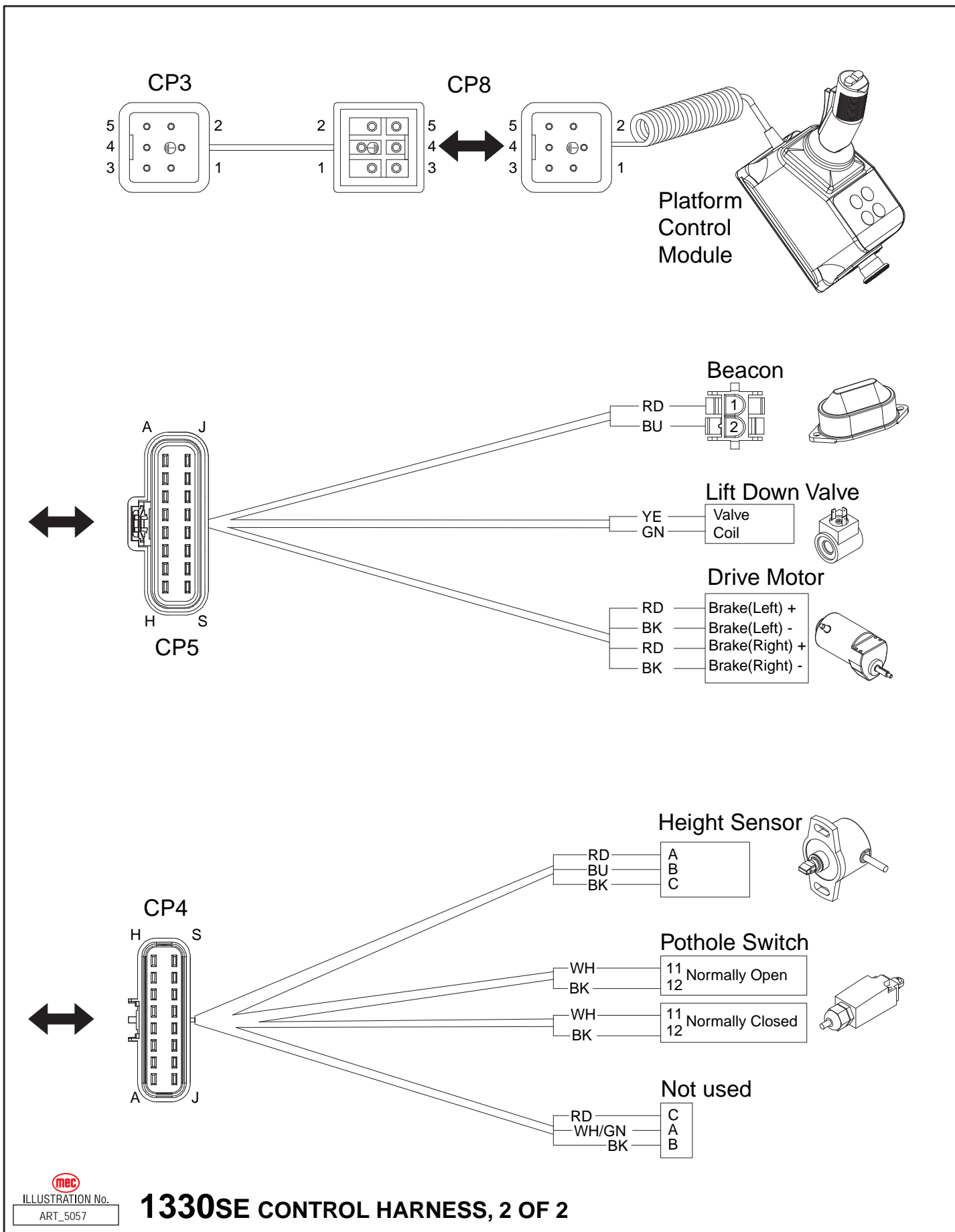
Control Harness, 1 Of 2



mec
ILLUSTRATION No.
ART_5056

1330SE CONTROL HARNESS, 1 OF 2

Control Harness, 2 Of 2

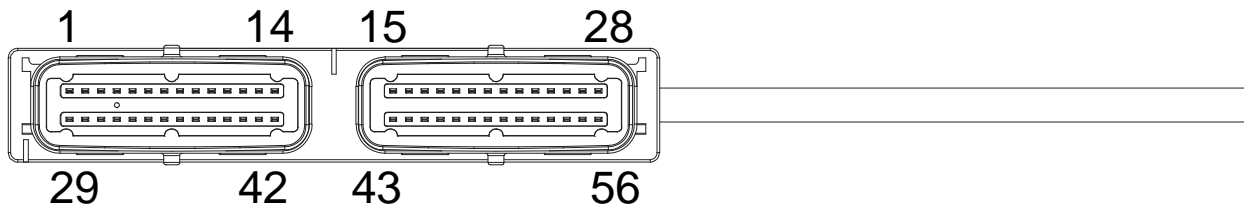
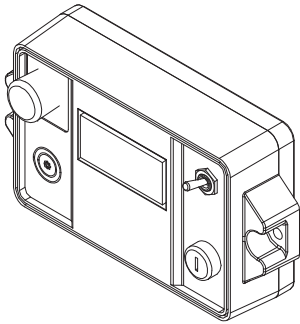


MEC
ILLUSTRATION No.
ART_5057

1330SE CONTROL HARNESS, 2 OF 2

Pin Identification, ECU Harness Plug

ECU



Pin #	ID	Color	Place	Pin #	ID	Color	Place
1	A1	WH	Lift Down Valve	29	A29	WH	Pothole Switch
2	A2	WH	Lift Up Valve	30	/	/	/
3	A3	WH	Power Key	31	A31	WH	Power Key
4	A4	WH	Steer Right Valve	32	A32	WH	Anti-Collision Switch
5	A5	WH	Steer Left Valve	33	A33	WH	TLT Sensor
6	/	/	/	34	A34	WH	Pedal Switch
7	A7	WH	Indoor/Outdoor Switch	35	/	/	/
8	/	/	/	36	/	/	/
9	/	/	/	37	/	/	/
10	A10	BK	Ground	38	/	/	/
11	/	/	/	39	/	/	/
12	A12	GN	CAN_L	40	A40	YE	CAN_H
13	/	/	/	41	A41	RD	Power
14	A14	RD	Power	42	A42	RD	Power
15	A15	RD	Power	43	A43	RD	Power
16	/	/	/	44	A44	RD	Power
17	A17	WH	Horn	45	A45	WH	Pressure Sensor
18	A18	WH	Beacon	46	A46	WH	Pressure Sensor
19	A19	WH	TM-Main Contactor	47	/	/	/
20	A20	WH	TM-Brake	48	A48	WH	Potentiometer
21	/	/	/	49	/	/	/
22	A22	WH	Main Contactor Coil	50	/	/	/
23	A23	WH	TM-Motor (Right) Feedback	51	/	/	/
24	A24	WH	TM-Motor (Left) Feedback	52	A52	GY	PCU Power
25	A25	WH	Left Motor Brake Coil	53	A53	GY	PCU Power
26	A26	WH	Right Motor Brake Coil	54	A54	BK	Ground
27	A27	RD	Power	55	A55	BK	Ground
28	A28	BK	Ground	56	A56	BK	Ground



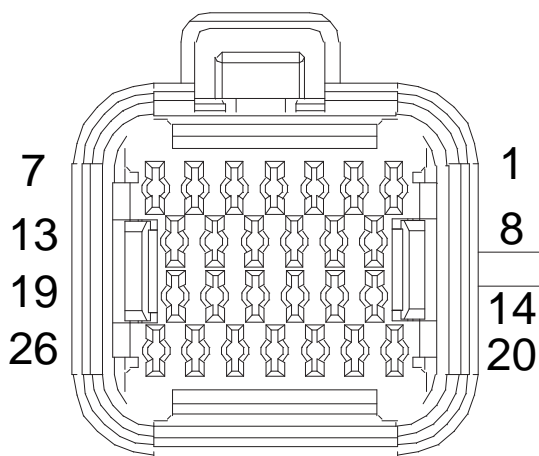
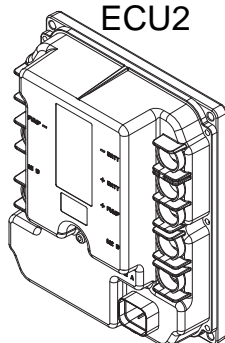
ILLUSTRATION No.
ART_5058

1330SE PIN IDENTIFICATION, ECU HARNESS PLUG



Pin Identification, Motor Controller ECU2 Harness Plug

Motor
Controller
ECU2



Pin #	ID	Color	Place	Pin #	ID	Color	Place
1	A23	WH	ECU	14	GND	BK	Ground
2	A24	WH	ECU	15	GND	BK	Ground
3	/	/	/	16	GND	BK	Ground
4	/	/	/	17	/	/	/
5	CANL	GN	ECU	18	/	/	/
6	CANL	GN	ECU	19	/	/	/
7	CANH	YE	ECU	20	/	/	/
8	002	RD	Power	21	/	/	/
9	002	RD	Power	22	/	/	/
10	002	RD	Power	23	A20	WH	ECU
11	/	/	/	24	A24	WH	ECU
12	/	/	/	25	A25	WH	ECU
13	/	/	/	26	/	/	/



ILLUSTRATION No.
ART_5059

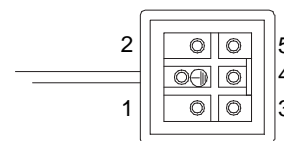
1330SE PIN IDENTIFICATION, MOTOR CONTROLLER (ECU2) HARNESS PLUG



Pin Identification, Main Harness Plugs

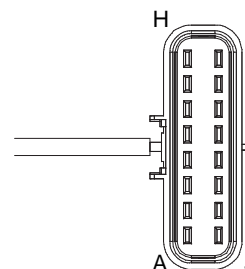
Pin #	ID	Color	Place
1	A52	GY	ECU
2	PWOUT	RD	Relay
3	GND	BK	Ground
4	CANH	YE	ECU
5	CANL	GN	ECU

To Platform Controls



Pin #	ID	Color	Place	Pin #	ID	Color	Place
A	002	RD	POWER	J	GND	BK	GROUND
B	002	RD	POWER	K	GND	BK	GROUND
C	A1	WH	ECU	L	GND	BK	GROUND
D	A25	WH	ECU	M	GND	BK	GROUND
E	A26	WH	ECU	N	/	/	/
F	A17	WH	ECU	P	/	/	/
G	A18	WH	ECU	R	/	/	/
H	GND	BK	GROUND	S	/	/	/

To Beacon,
Lift Down Valve,
Drive Motors



Pin #	ID	Color	Place	Pin #	ID	Color	Place
A	002	RD	POWER	J	A32	WH	ECU
B	002	RD	POWER	K	A33	WH	ECU
C	002	RD	POWER	L	A45	WH	ECU
D	002	RD	POWER	M	A46	WH	ECU
E	002	RD	POWER	N	A48	WH	ECU
F	A29	WH	ECU	P	GND	BK	GROUND
G	A7	WH	ECU	R	GND	BK	GROUND
H	A34	WH	ECU	S	GND	BK	GROUND

To Height Sensor,
Pothole Switch

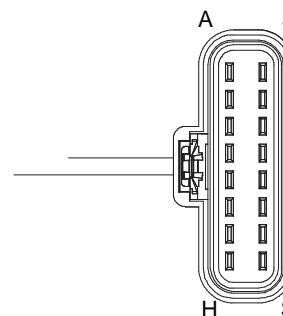


ILLUSTRATION No.
ART_5060

1330SE PIN IDENTIFICATION, MAIN HARNESS PLUGS



Pin Identification, Platform Controls, COM Cable

Pin #	Color
1	RD
2	GN
3	WH
4	YE
5	BU

Pin #	Color
1	RD
2	GN
3	WH
4	YE
5	BU

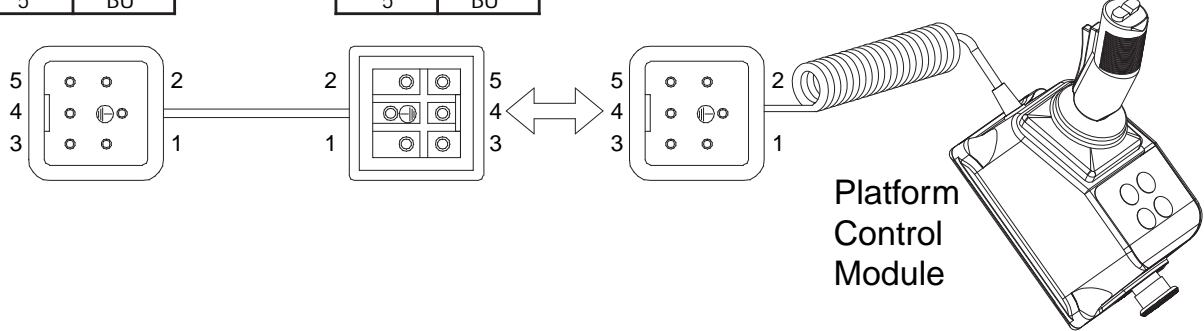


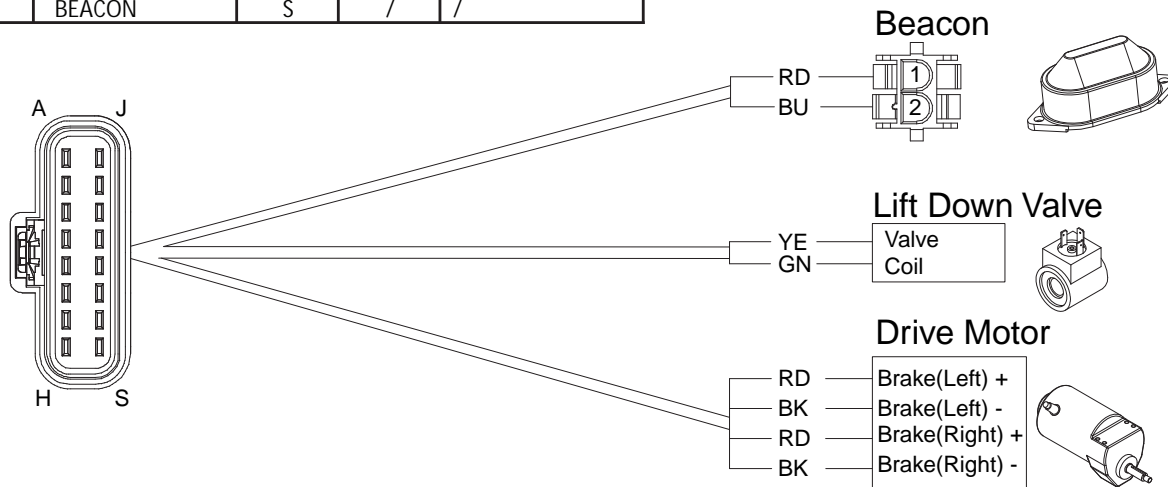
ILLUSTRATION No.
ART_5061

1330SE PIN IDENTIFICATION, PLATFORM CONTROLS/COM CABLE

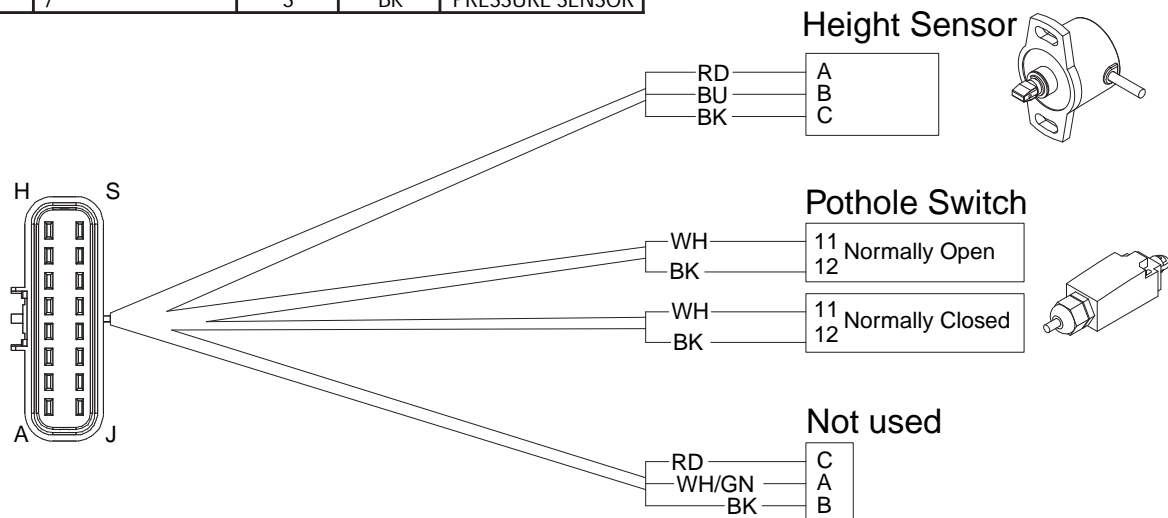


Pin Identification, Chassis Connections

Pin #	Color	Place	Pin #	Color	Place
A	/	/	J	BK	BRAKE (LEFT)
B	/	/	K	BK	BRAKE (RIGHT)
C	YE	LIFT DOWN VALVE	L	GN	LIFT DOWN VALVE
D	RD	BRAKE (LEFT)	M	/	/
E	RD	BRAKE (RIGHT)	N	/	/
F	/	/	P	/	/
G	RD	BEACON	R	/	/
H	BU	BEACON	S	/	/



Pin #	Color	Place	Pin #	Color	Place
A	/	/	J	/	/
B	/	/	K	/	/
C	RD	PRESSURE SWITCH	L	WH	PRESSURE SWITCH
D	RD	HEIGHT SENSOR	M	GN	PRESSURE SWITCH
E	WH	POTHOLE SWITCH	N	YE	HEIGHT SENSOR
F	WH	POTHOLE SWITCH	P	BK	HEIGHT SENSOR
G	/	/	R	/	/
H	/	/	S	BK	PRESSURE SENSOR



MEC
ILLUSTRATION No.
ART_5062

1330SE PIN IDENTIFICATION, CHASSIS CONNECTIONS



Wiring Diagram

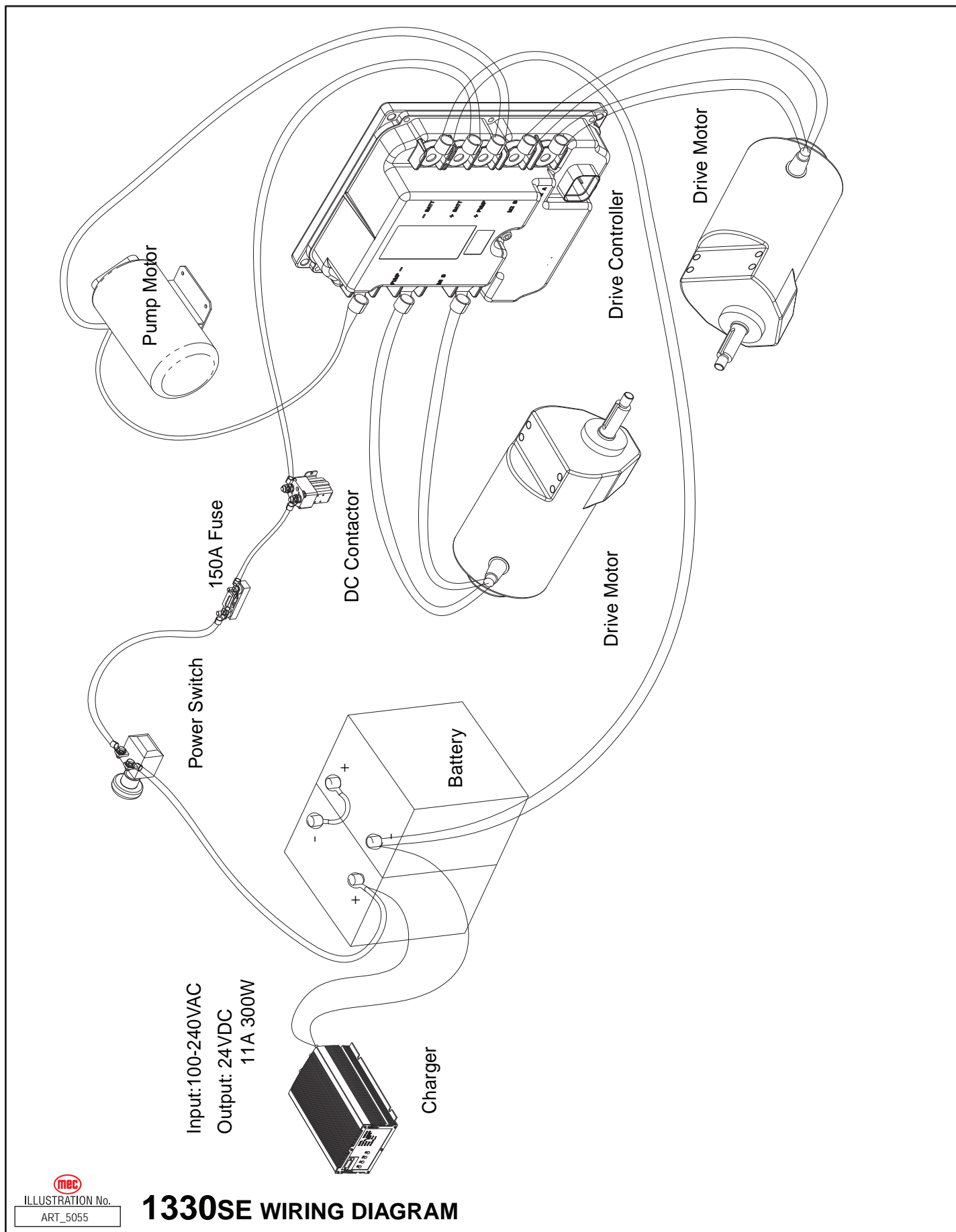



ILLUSTRATION No.
ART_5055

1330SE WIRING DIAGRAM

Parts Introduction

This Parts sections consists of illustrated parts sections and is designed to provide you, the customer, with illustrations and the list of associated parts needed to properly maintain the MEC self-propelled aerial work platform. When used in conjunction with the Service section in this manual and the Operator's Manual (provided separately), this manual will assist you in making necessary adjustments and repairs, and identifying and ordering the correct replacement parts.

All parts represented here are manufactured and supplied in accordance with MEC quality standards.

We recommend that you use genuine MEC parts to ensure proper operation and reliable performance.

To obtain maximum benefits from your MEC Aerial Work Platforms, always follow the proper operating and maintenance procedures. Only trained authorized personnel should be allowed to operate or service this machine. Service personnel should read and study the Operator's, and the Service and Parts Manuals in order to gain a thorough understanding of the unit prior to making any repairs.

Chassis Assembly

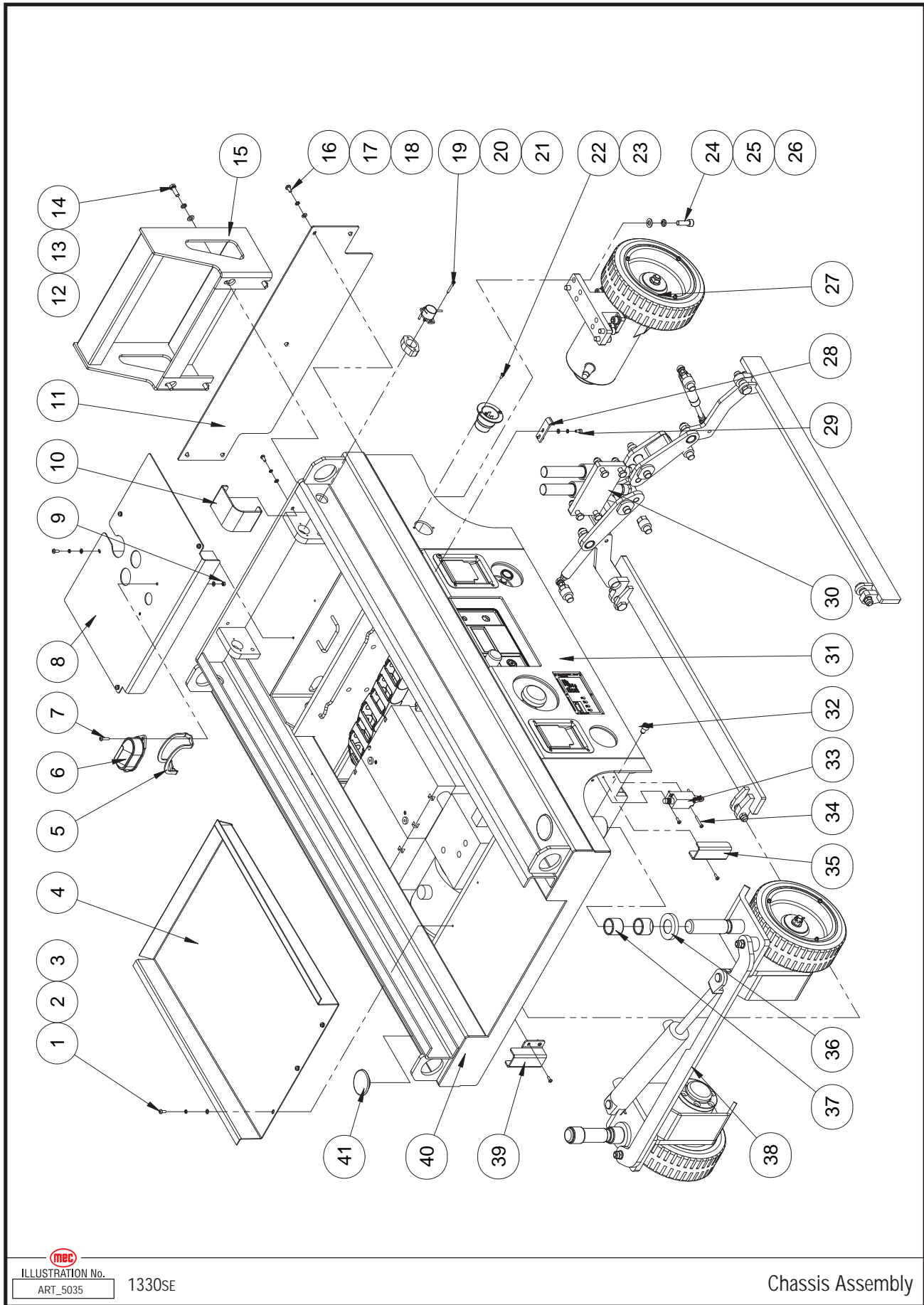


 ILLUSTRATION No. 1330SE
ART_5035

Chassis Assembly

Item	Part Number	Description	Qty.
1	53056	HHMS M05-0.80 × 12	10
2	53043	WSHR M05 Spring Washer	14
3	53038	WSHR M05 Standard Flat	17
4	41308	Cover Plate	1
5	41309	Cover	1
6	41310	Beacon	1
7	50591	BHCS M05-0.80 × 20	2
8	41311	Cover Plate	1
9	50524	NNYL M05-0.80	2
10	41312	Cover, Sensor	1
11	41306	Plate, Rear Cover	1
12	50031	HHCS M08-1.25 × 25	4
13	53055	WSHR M08 Spring Washer	4
14	50001	WSHR M08 Standard Flat	4
15	41193	Ladder Weldment	1
16	53026	BHCS M06-1.00 × 12	13
17	53046	WSHR M06 Spring Washer	5
18	50000	WSHR M06 Standard Flat	5
19	41194	Support Plate, Sensor	1
20	41195	Rotary Sensor	1
21	53065	SHCS M04-0.70 × 30	2
22	41575	Input Socket	1
23	50423	SHCS M04-0.70 × 12	10
24	50034	HHCS M10-1.50 × 30	8
25	50273	Nordlock 7/16	8
26	50002	WSHR M10 Standard Flat	8
27	41313	Drive Wheel Assembly (Refer to page 58)	2
28	41196	Lock Plate (To Serial #16306316)	2
	43978	Lock Plate (From Serial #16306317)	2
29	53044	SHMS M05-0.80 × 10	4
30	41219	Mid Linkage Weldment	1
31	41314	Battery Pack Module	1
32	53066	SHCS M10-1.50 × 15	2
33	41197	Switch, Limit	2
34	53065	SHCS M04-0.70 × 30	4
35	41315	Switch Cover	1
36	41199	Thrust Washer	2
37	41202	Bearing	4
38	41316	Steer Linkage	1
39	41198	Cover, Switch	1
40	41317	Chassis Weldment	1
41	41318	Cover	2

Pothole Protection Assembly

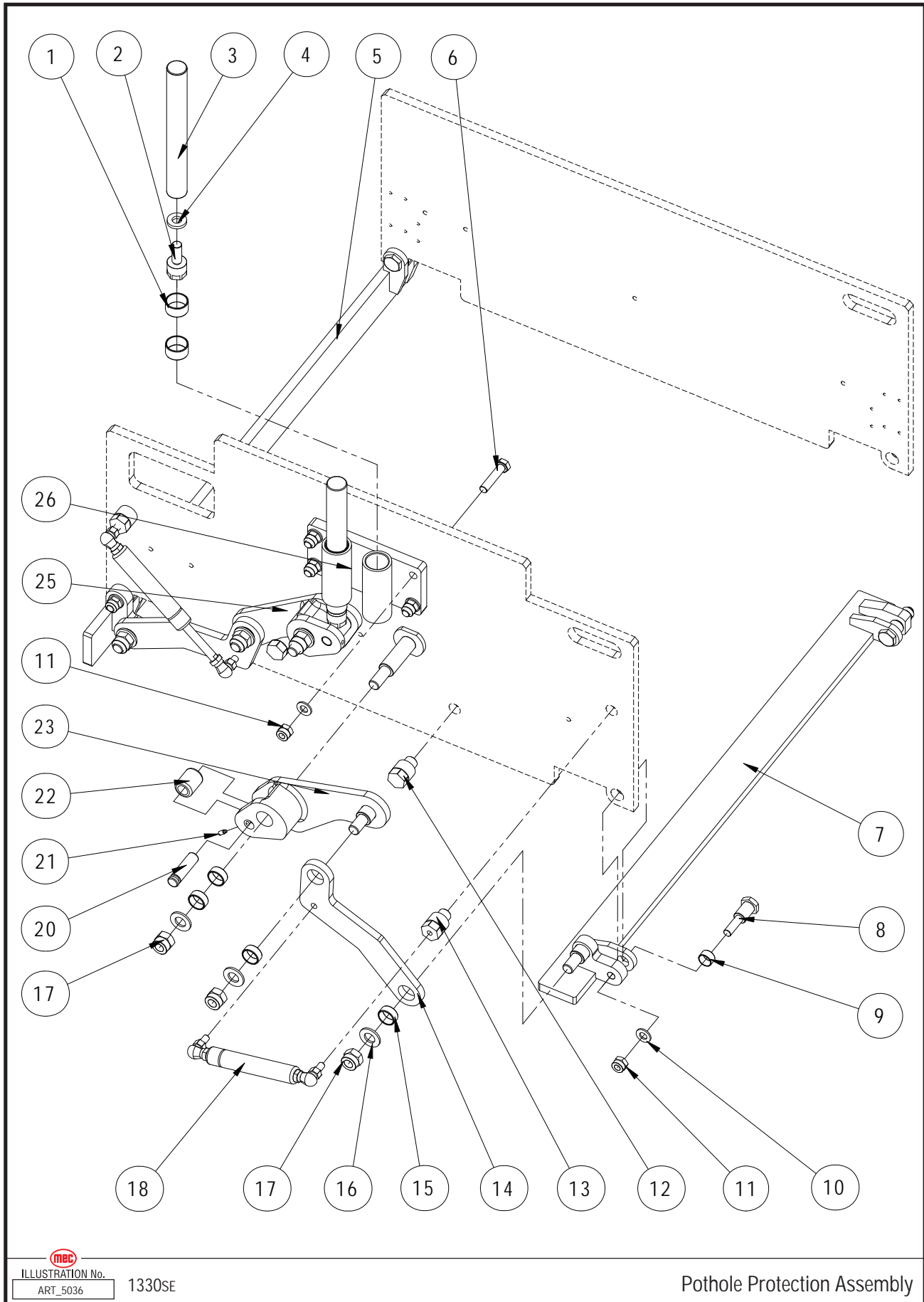


 ILLUSTRATION No. 1330SE
ART_5036

Pothole Protection Assembly

Item	Part Number	Description	Qty.
1	41203	Bearing	4
2	41204	Pressure Head	2
3	41205	Pressure Lever	2
4	41206	Adjusting Washer	2
5	41207	Cross Board	1
6	50430	HHCS M10-1.25 x 45	4
7	41208	Cross Board	1
8	41209	Cross Board Annul	4
9	41210	Bearing, Axle	4
10	50002	WSHR M10 Standard Flat	7
11	50049	NNYL M10 x 1.50	8
12	41211	Limit, Annul	2
13	41212	Gas Pole Annul	2
14	41213	Nether Linkage	2
15	41214	Bearing	8
16	53049	WSHR M14 Standard Flat	6
17	50303	NNYL M14 x 2.00	6
18	41215	Gas Spring	2
19	--	--	--
20	41216	Wheel Annul	2
21	53056	HHMS M05-0.80 x 12	2
22	41217	Wheel	2
23	41319	Mid Linkage Weldment	1
24	--	--	--
25	41320	Mid Linkage Weldment	1
26	41220	Press Axes Seat	1

Steering Components

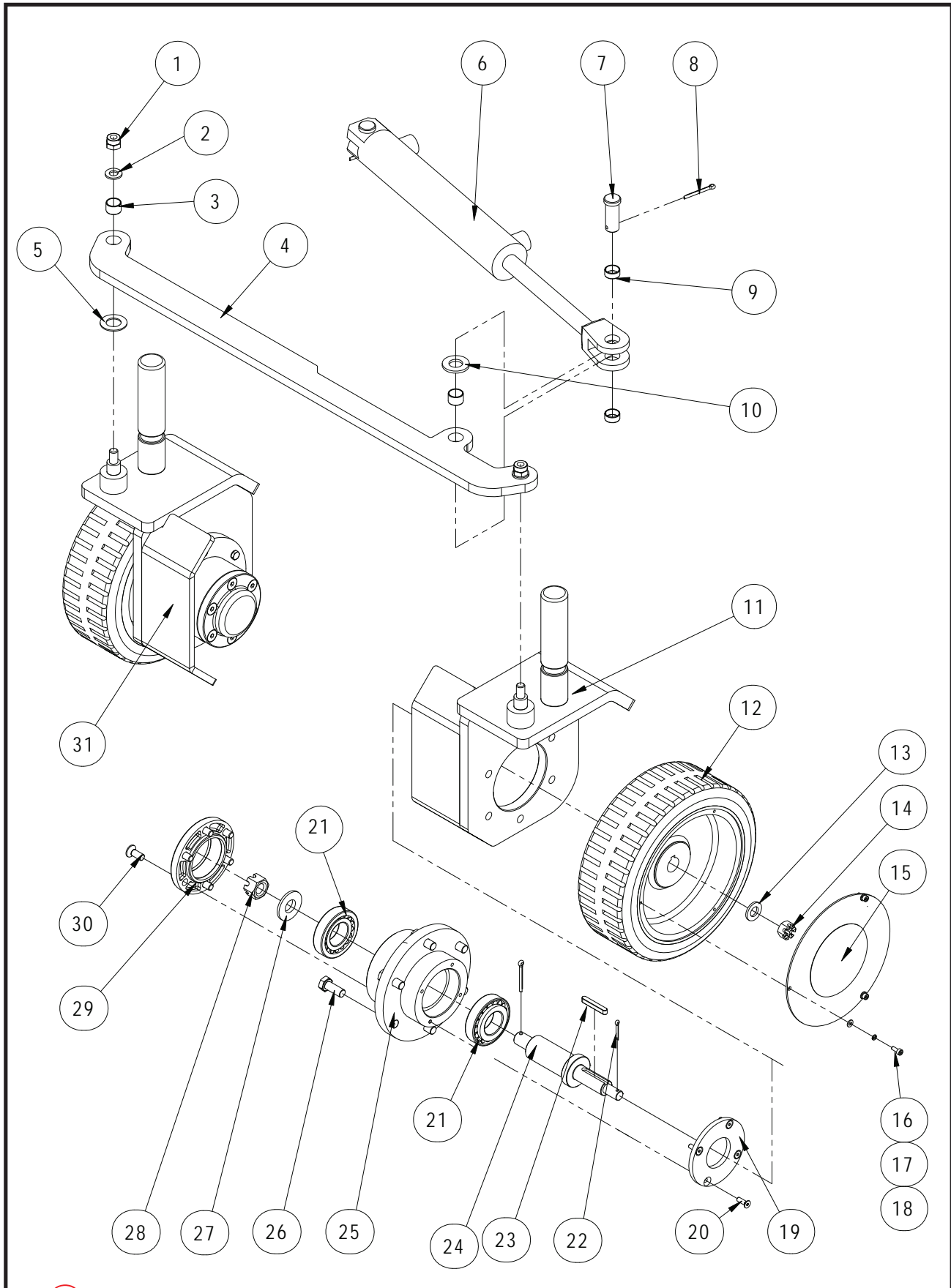


 ILLUSTRATION No. 1330SE
ART_5037

Steering Components

Item	Part Number	Description	Qty.
1	50049	NNYL M10 x 1.50	2
2	50002	WSHR M10 Standard Flat	2
3	41210	Bearing, Axle	4
4	41221	Tie Rod	1
5	41222	Thrust Washer	2
6	41223	Steering Cylinder	1
--	41594	Seal Kit	1
7	41321	Pin	2
8	41322	Pin	4
9	41225	Bearing	4
10	41226	Thrust Washer	2
11	41227	Left Yoke (To Serial #16305773)	1
	44043	Left Yoke (From Serial #16305774)	1
12	41228	Wheel	2
13	50003	WSHR M12 Standard Flat	2
14	41229	Nut	2
15	41323	Out Cover	2
16	50321	BHCS M04-0.70 x 10	6
17	53062	WSHR M04 Spring Washer	6
18	50284	WSHR M04 Standard Flat	6
19	41230	Shaft End Baffle	2
20	50359	SHCS M05-0.80 x 16	8
21	41024	Bearing	4
22	41322	Pin	2
23	41232	Key	2
24	41233	Wheel Shaft	2
25	41234	Connecting Plate	2
26	50033	HHCS M10-1.50 x 25	12
27	41327	Shim	2
28	41236	Castle Nut M16 x 1.50	2
29	41328	Shaft End Cover Plate	2
30	50030	HHCS M08-1.25 x 20	12
31	41238	Right Yoke (To Serial #16305773)	1
	44042	Right Yoke (From Serial #16305774)	1

Drive Wheel Assembly

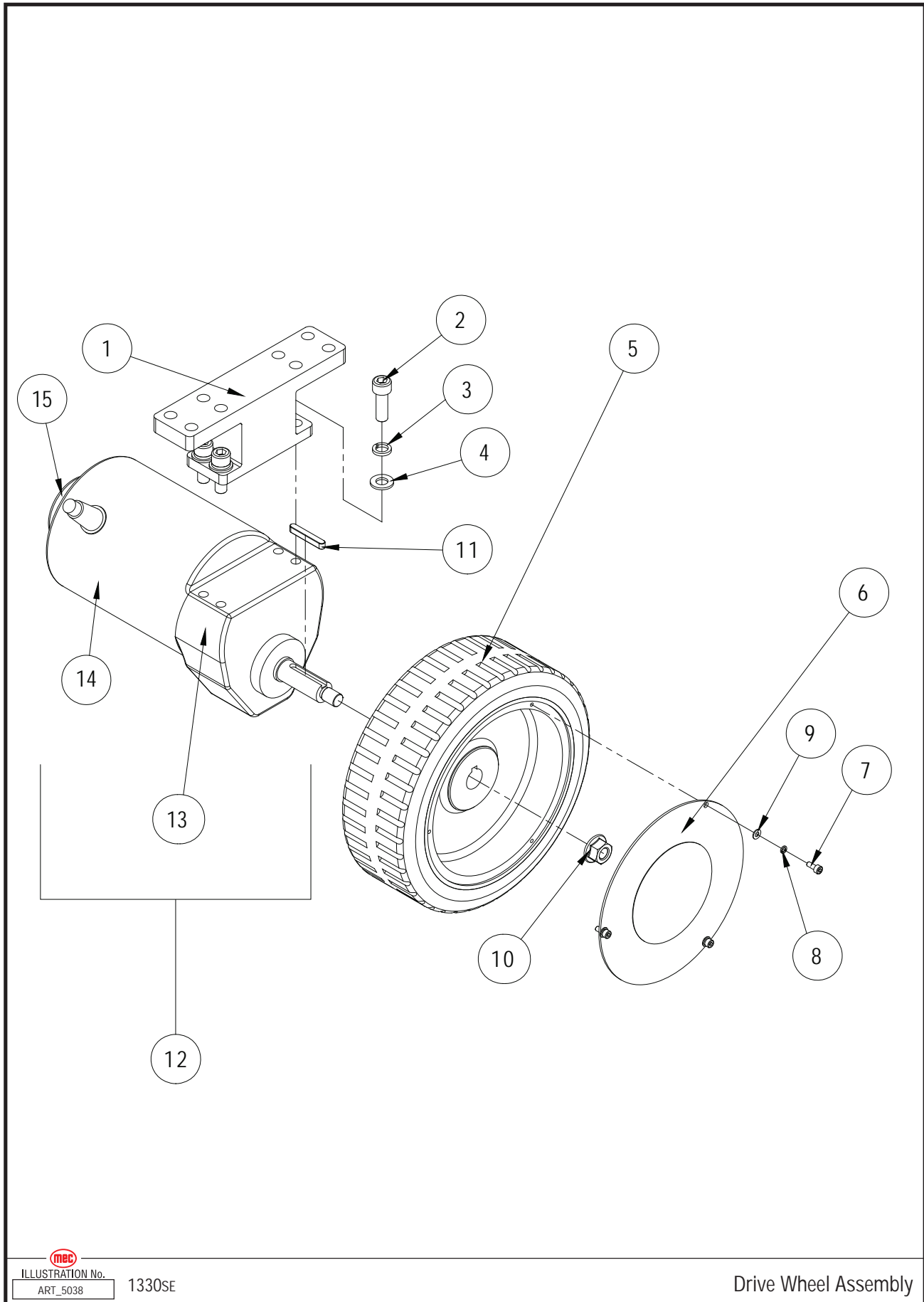


 ILLUSTRATION No. 1330SE
ART_5038

Drive Wheel Assembly

Item	Part Number	Description	Qty.
1	41239	Housing	1
2	50034	HHCS M10-1.50 x 30	4
3	53054	WSHR M10 Spring Washer	4
4	50002	WSHR M10 Standard Flat	4
5	41228	Wheel	1
6	41323	Out Cover	1
7	50321	BHCS M04-0.70 x 10	3
8	53062	WSHR M04 Spring Washer	3
9	50284	WSHR M04 Standard Flat	3
10	50050	NNYL M12 x 1.75	1
11	41232	Key	1
12	41240	Drive Motor Assembly	1
13	44490	Reducer, Drive Kit	1
--	53240	SHCS M08-1.25 X 85 10.9 ZP	2
--	50004	WSHR M16 ZP Standard Flat	1
--	42515	Reducer, Drive	1
14	43751	Right Drive Motor	1
	43752	Left Drive Motor	1
15	42889	Brake	1
--	42883	Connector, Drive Motor	1

Component Tray - To Serial #16300001-16301160

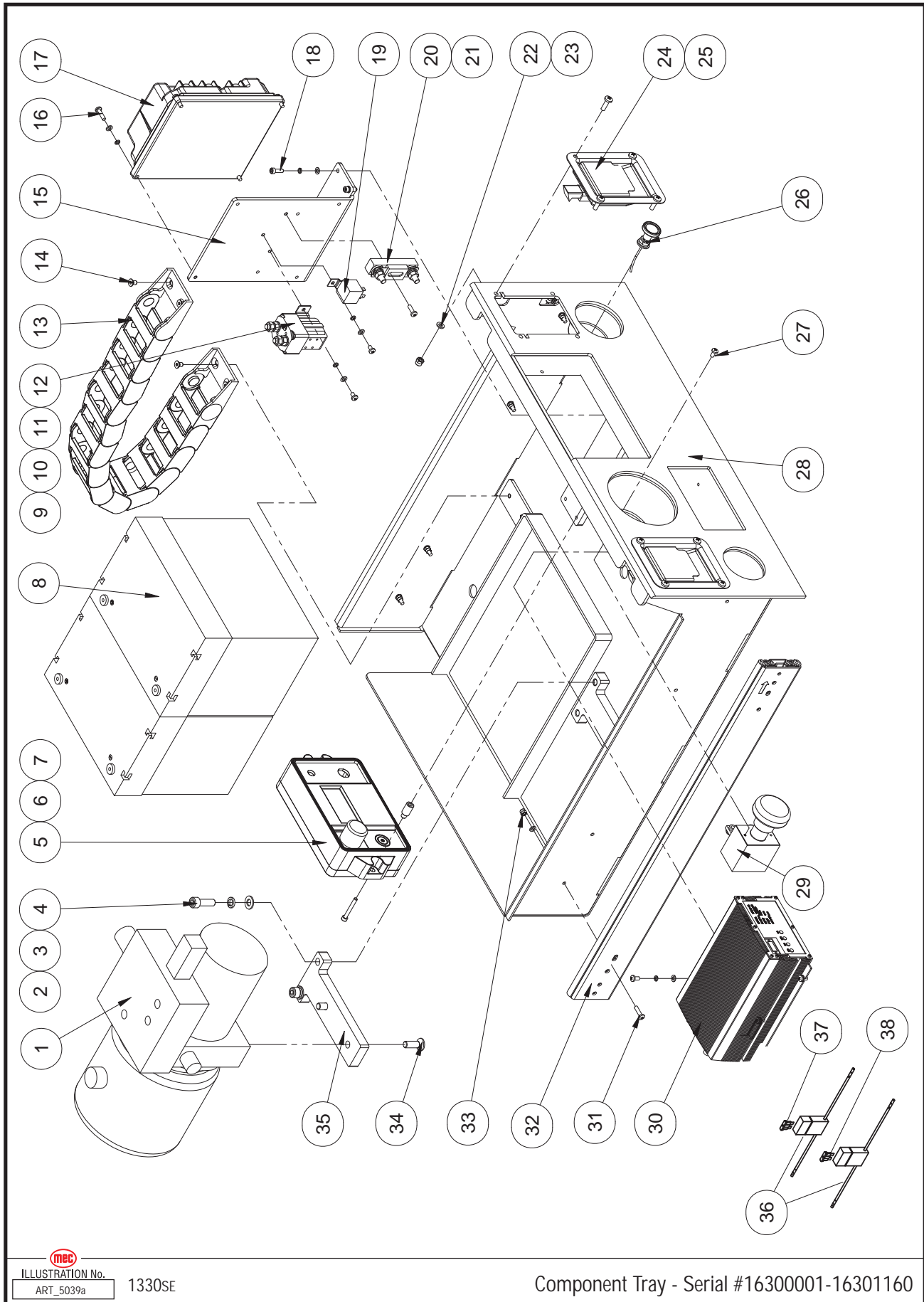



ILLUSTRATION No. 1330SE
ART_5039a

Component Tray - Serial #16300001-16301160

Item	Part Number	Description	Qty.
1	REF	Hydraulic Power Unit (Refer to page 64)	1
2	50127	SHCS M10-1.50 x 30	2
3	53054	WSHR M10 Spring Washer	2
4	50002	WSHR M10 Standard Flat	2
5	41947	ECU Assembly Kit (To Serial #16301172)	1
	41928	ECU Assembly Kit (From Serial #16301173)	1
6	41329	Sleeve Pipe	1
7	53067	SHCS M05-0.80 x 40	2
8	41330	Battery	2
9	41331	DC Contactor	1
10	53068	CSCS M05-0.80 x 8	3
11	53043	WSHR M05 Spring Washer	15
12	53038	WSHR M05 Standard Flat	23
13	41332	Towline	1
14	53138	SHCS M06-1.00 x 16	4
15	41333	Fix Panel	1
16	50591	BHCS M05-0.80 x 20	4
17	41250	Traction Module	1
18	53035	BHCS M05-0.80 x 16	4
19	41334	Relay	1
20	41251	Fuse	1
21	53045	HHMS M05-0.80 x 14	2
22	50000	WSHR M06 Standard Flat	8
23	50047	NNYL M06 x 1.00	8
24	41335	Lock Latch (To Serial #16306316)	2
	43977	Lock Latch (From Serial #16306317)	2
25	50028	HHCS M06-1.00 x 20	8
26	41252	Emergency Down Cable	1
27	53044	SHMS M05-0.80 x 10	6
28	41336	Battery Box Weldment	1
29	41065	Power Switch	1
30	41254	Charger (To Serial #16306316)	1
	42904	Charger (From Serial #16306317)	1
31	50591	BHCS M05-0.80 x 20	8
32	41255	Glide Track	2
33	50524	NNYL M05-0.80	8
34	50034	HHCS M10-1.50 x 30	2
35	41337	Fix Panel	1
36	92107	Fuse Holder ATO/ATC Black 16GA	2
37	94231	Fuse 2 Amp ATO	1
38	93099	Fuse 10 Amp	1
39	41575	Plug Connector - Charger PTP	1
40	41657	Cord Charger	1

REF - Reference

Component Tray - From Serial #16301161

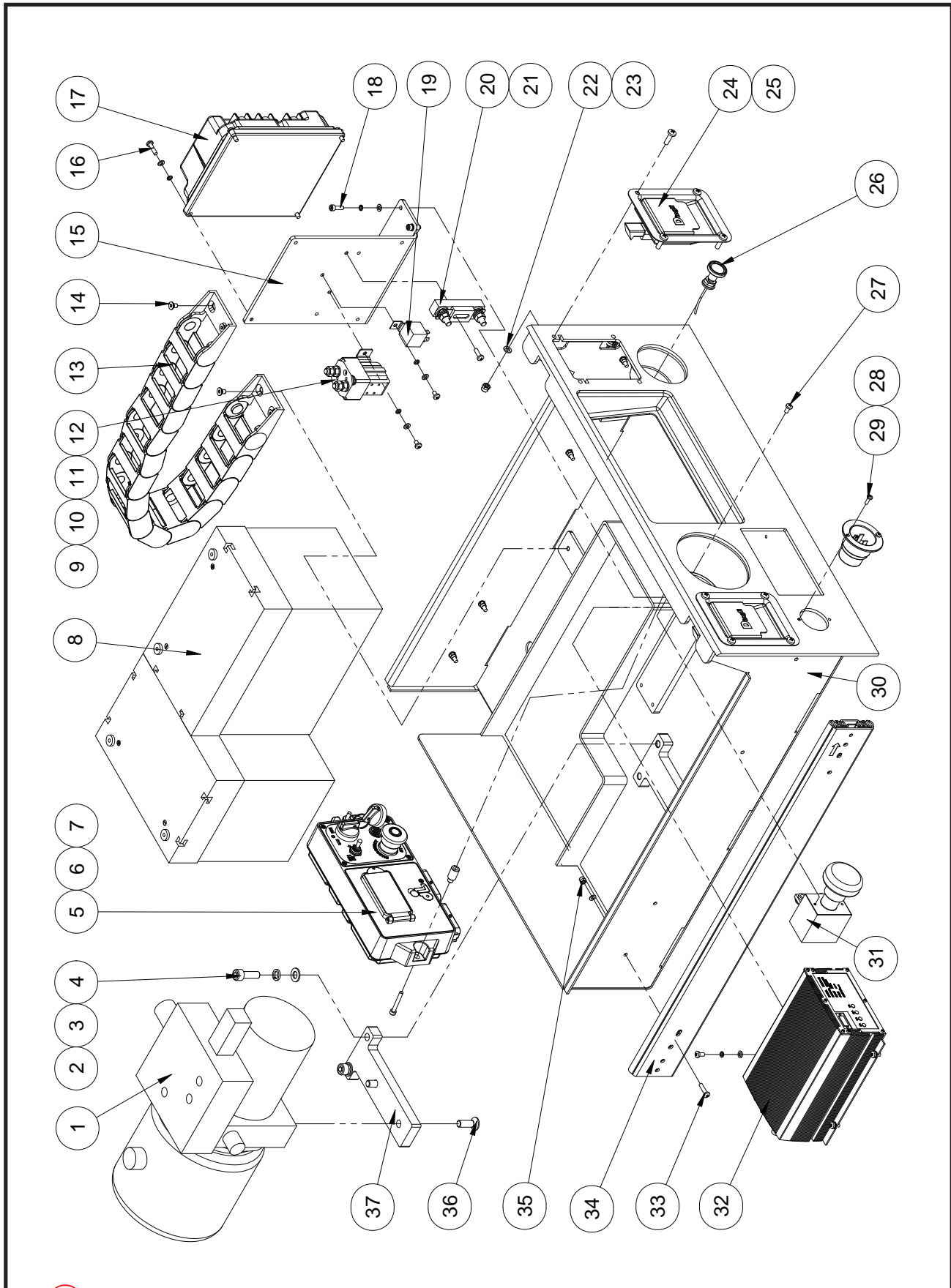


 ILLUSTRATION No. 1330SE
ART_5039b

Component Tray - From Serial #16301161

Item	Part Number	Description	Qty.
1	REF	Hydraulic Power Unit (Refer to page 64)	1
2	50127	SHCS M10-1.50 x 30	2
3	53054	WSHR M10 Spring Washer	2
4	50002	WSHR M10 Standard Flat	2
5	41947	ECU Assembly Kit (To Serial #16301172)	1
	41928	ECU Assembly Kit (From Serial #16301173)	1
6	41329	Sleeve Pipe	1
7	53067	SHCS M05-0.80 x 40	2
8	41330	Battery	2
9	41331	DC Contactor	1
10	53068	CSCS M05-0.80 x 8	3
11	53043	WSHR M05 Spring Washer	15
12	53038	WSHR M05 Standard Flat	23
13	41332	Towline	1
14	53138	SHCS M06-1.00 x 16	4
15	41333	Fix Panel	1
16	50591	BHCS M05-0.80 x 20	4
17	41250	Traction Module	1
18	53035	BHCS M05-0.80 x 16	4
19	41334	Relay	1
20	41251	Fuse	1
21	53045	HHMS M05-0.80 x 14	2
22	50000	WSHR M06 Standard Flat	8
23	50047	NNYL M06 x 1.00	8
24	41335	Lock Latch (To Serial #16306316)	2
	43977	Lock Latch (From Serial #16306317)	2
25	50028	HHCS M06-1.00 x 20	8
26	41252	Emergency Down Cable	1
27	53044	SHMS M05-0.80 x 10	6
28	41575	Input Socket	1
29	50423	SHCS M04-0.70 x 12	2
30	41934	Battery Box Weldment	1
31	41065	Power Switch	1
32	41254	Charger	1
--	41657	Charger Cord	1
33	50591	BHCS M05-0.80 x 20	8
34	41255	Glide Track	2
35	50524	NNYL M05-0.80	8
36	50034	HHCS M10-1.50 x 30	2
37	41337	Fix Panel	1
38	94359	Power Inverter (Not Pictured)	1
39	41575	Plug Connector - Charger PTP	1
40	41657	Cord Charger	1

REF - Reference

Hydraulic Power Unit

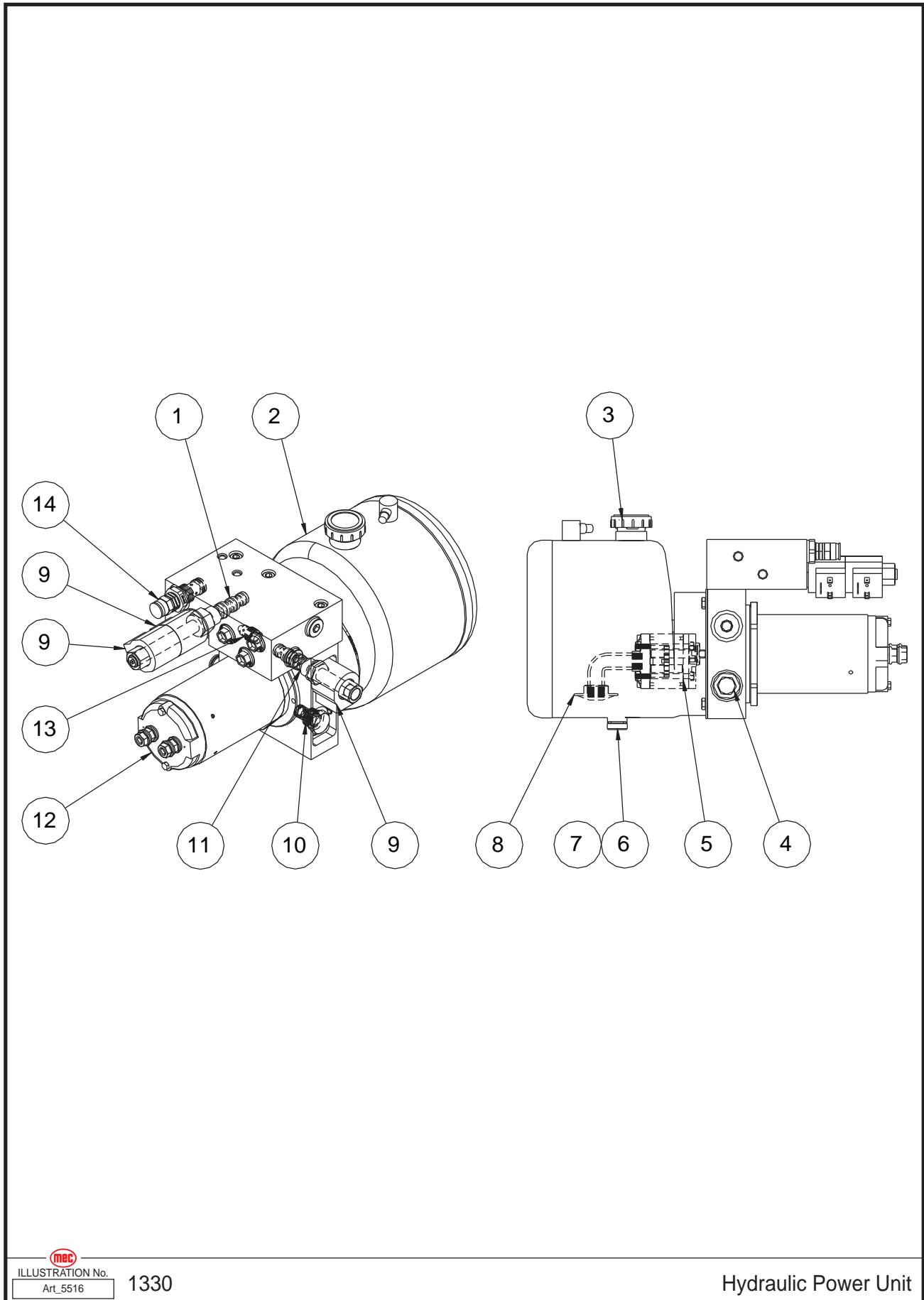


 ILLUSTRATION No. 1330
Art_5516

Hydraulic Power Unit

Item	Part Number	Description	Qty.
--	41932	Hydraulic Power Unit	1
1	41246	Steer Valve Solenoid	1
2	41247	Tank	1
3	42901	Breather Cap Red	1
4	43807	Relief Valve	1
5	42524	1.25CC Pump	1
6	43808	Plug	1
7	43777	Sealing Washer	1
8	43809	Filter Web	1
9	43810	Coil	3
10	43811	Check Valve	1
11	41245	Lift Valve Solenoid	1
12	42891	1.2kW Motor, Pump Drive - For Serial # Up To 16301056 (Also need 42894 Coupler)	1
--	42894	Coupler, Pump Drive (Used with 1.2kW Motor)	1
13	43812	Pressure Compensation Valve	1
14	43813	Relief Valve	1

Lower Controls - From Serial #16301161

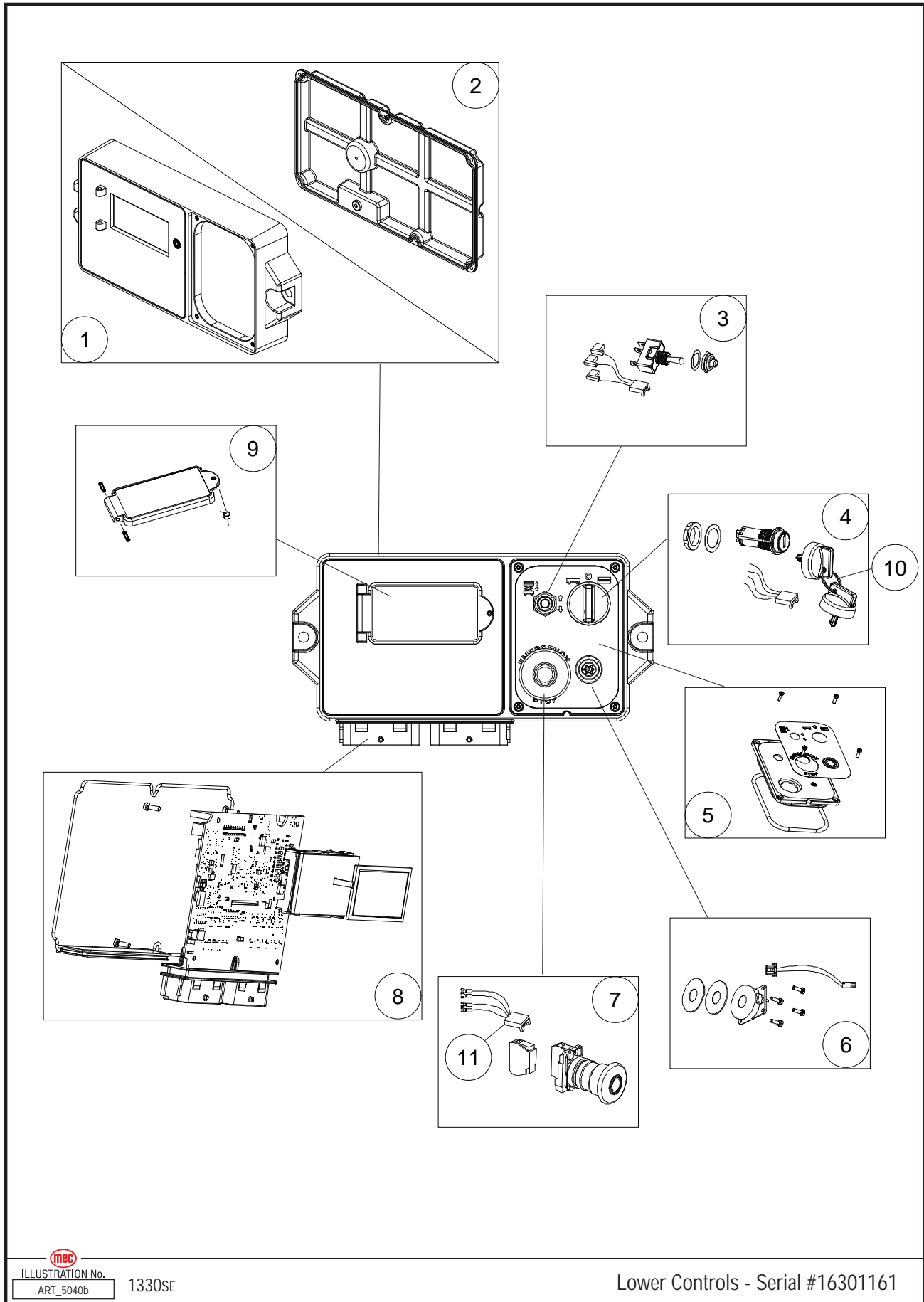



ILLUSTRATION No. 1330SE
ART_5040b

Lower Controls - Serial #16301161

Item	Part Number	Description	Qty.
--	41928	ECU Module	1
1	41935	Plastic Body	1
2	41936	Plastic Bottom	1
3	41937	Toggle Switch Kit (Includes Keys)	1
--	42907	Toggle Switch Black Connector	1
4	41938	Key Switch Kit (White Connector)	1
	42908	Key Switch Kit (Black Connector)	1
5	41939	Electromechanical Panel Kit	1
6	41940	Buzzer Kit	1
--	42910	Kit Black Connector	1
7	41422	Emergency Stop	1
8	41942	PCB & Display Kit	1
9	41943	Screen Protector Kit	1
10	41668	Key Replacement, Spare	1
11	42911	E-Stop Switch Harness	1

Scissor Installation

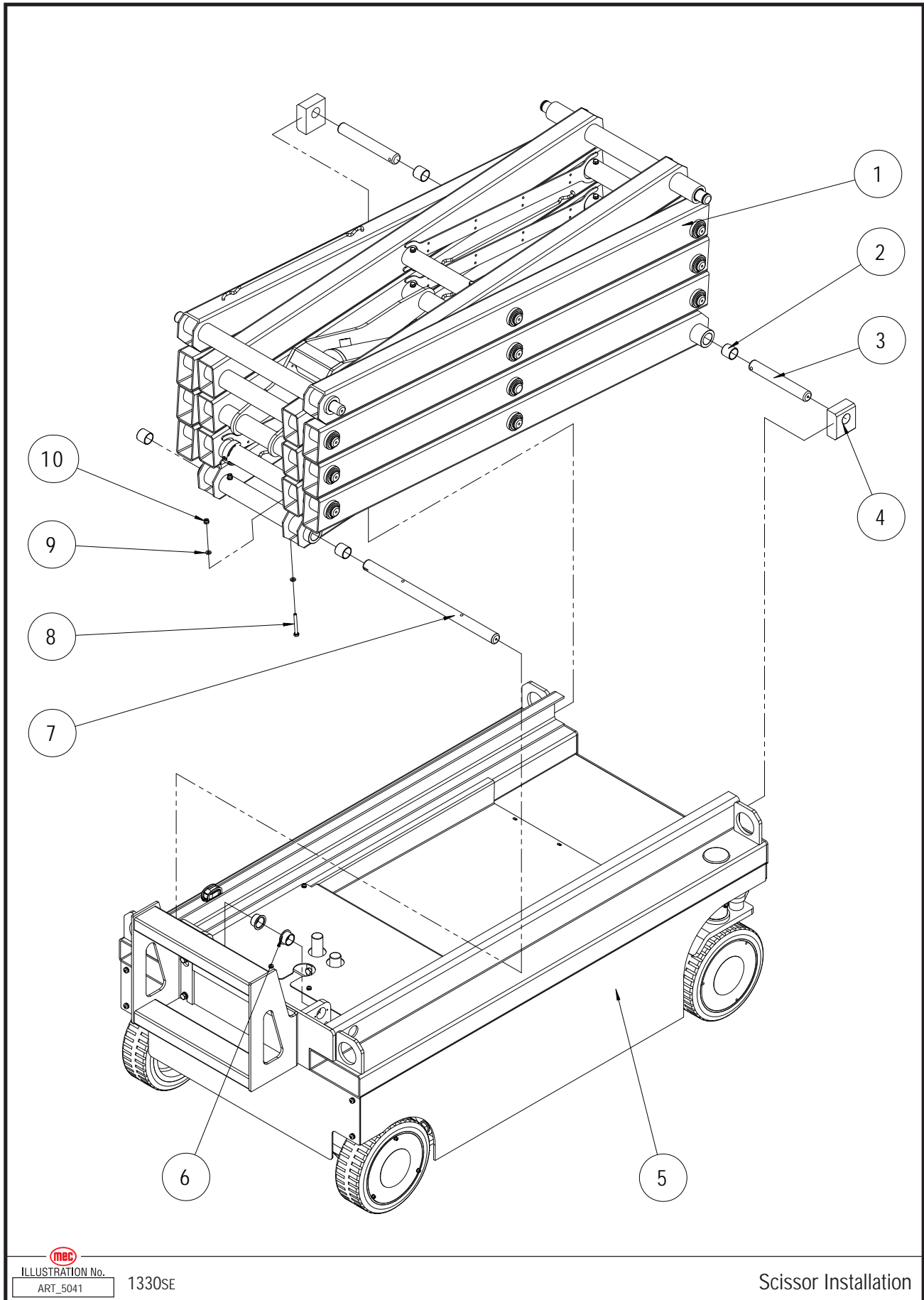



ILLUSTRATION No. 1330SE
ART_5041

Scissor Installation

Item	Part Number	Description	Qty.
1	41259	Scissor Assembly	1
2	41287	Bearing, Lift Cylinder	4
3	41338	Top Slider Axle	2
4	41256	Bottom Slider	2
5	41339	Chassis Assembly	1
6	41257	Bearing	2
7	41258	Fastness Base Axle	1
8	50327	HHCS M06-1.00 x 35	4
9	50000	WSHR M06 Standard Flat	8
10	50047	NNYL M06 x 1.00	4

Scissor Assembly

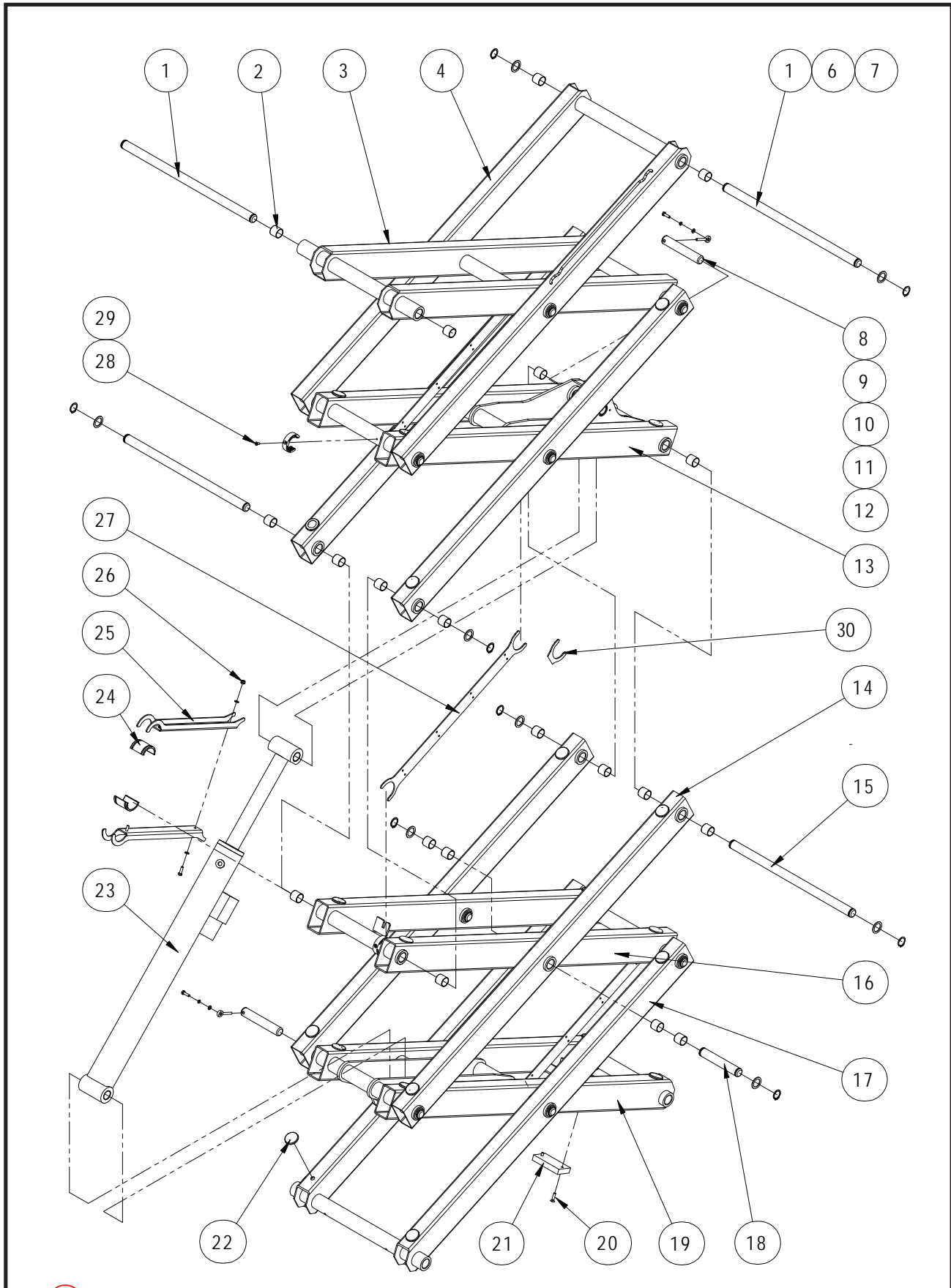


 ILLUSTRATION No. 1330SE
ART_5042

Scissor Assembly

Item	Part Number	Description	Qty.
1	41576	Axle, Scissor Stack, Upper	2
2	41287	Bearing, Lift Cylinder	66
3	41340	Inner Arm 4	1
4	41341	Outer Arm 3	1
5	--	--	--
6	41354	Circle, Washer	22
7	41355	Circlips	22
8	41345	Cylinder Axle	2
9	41342	Pin	2
10	50000	WSHR M06 Standard Flat	38
11	53054	WSHR M10 Spring Washer	2
12	50028	HHCS M06-1.00 x 20	4
13	41344	Inner Arm 3	1
14	41343	Outer Arm 2	4
15	41577	Axle, Scissor Stack, Lower	9
16	41346	Inner Arm 2	1
17	41347	Outer Arm 1	1
18	41349	Axle	2
19	41348	Inner Arm 1	1
20	50117	HHCS M06-1.00 x 25	2
21	41350	Pothole Pressboard	1
22	41114	Block	24
23	41290	Lift Cylinder	1
--	42554	Kit, 1330SE Lift Cylinder Vent Hose	1
24	41262	Safety Holder	2
25	41263	Safety Arm	2
26	50047	NNYL M06 x 1.00	18
27	41352	Through Line Bridge	3
28	41582	Collar	6
29	53056	HHMS M05-0.80 x 12	6
30	44533	Bushing Insert	3

Platform Installation

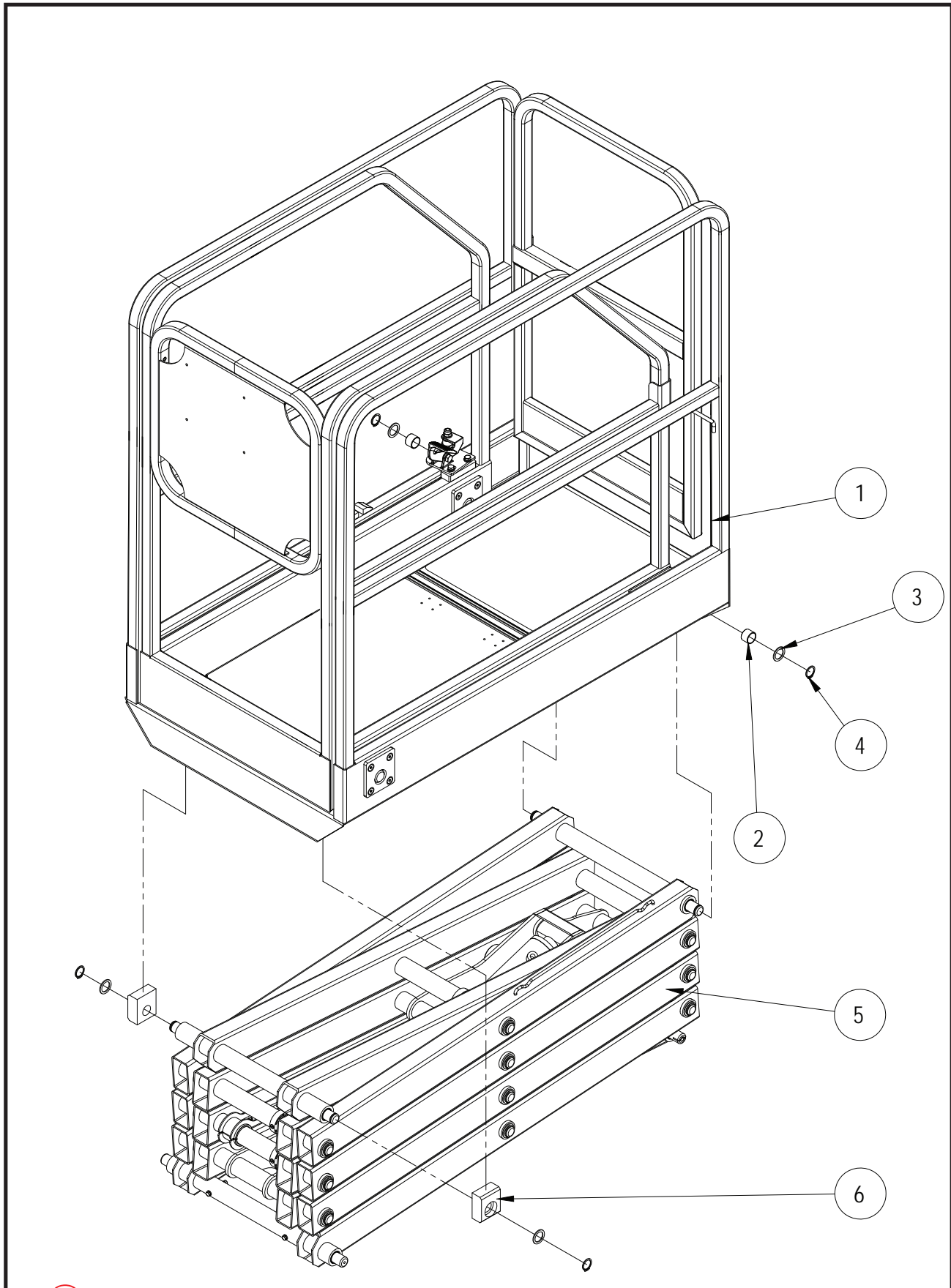


 ILLUSTRATION No. 1330SE
ART_5043

Platform Installation

Item	Part Number	Description	Qty.
1	41356	Platform Assembly	1
2	41287	Bearing, Lift Cylinder	6
3	41354	Circle, Washer	4
4	41355	Circlips	4
5	41259	Scissor Assembly	1
6	41256	Bottom Slider	2

Main Platform Assembly

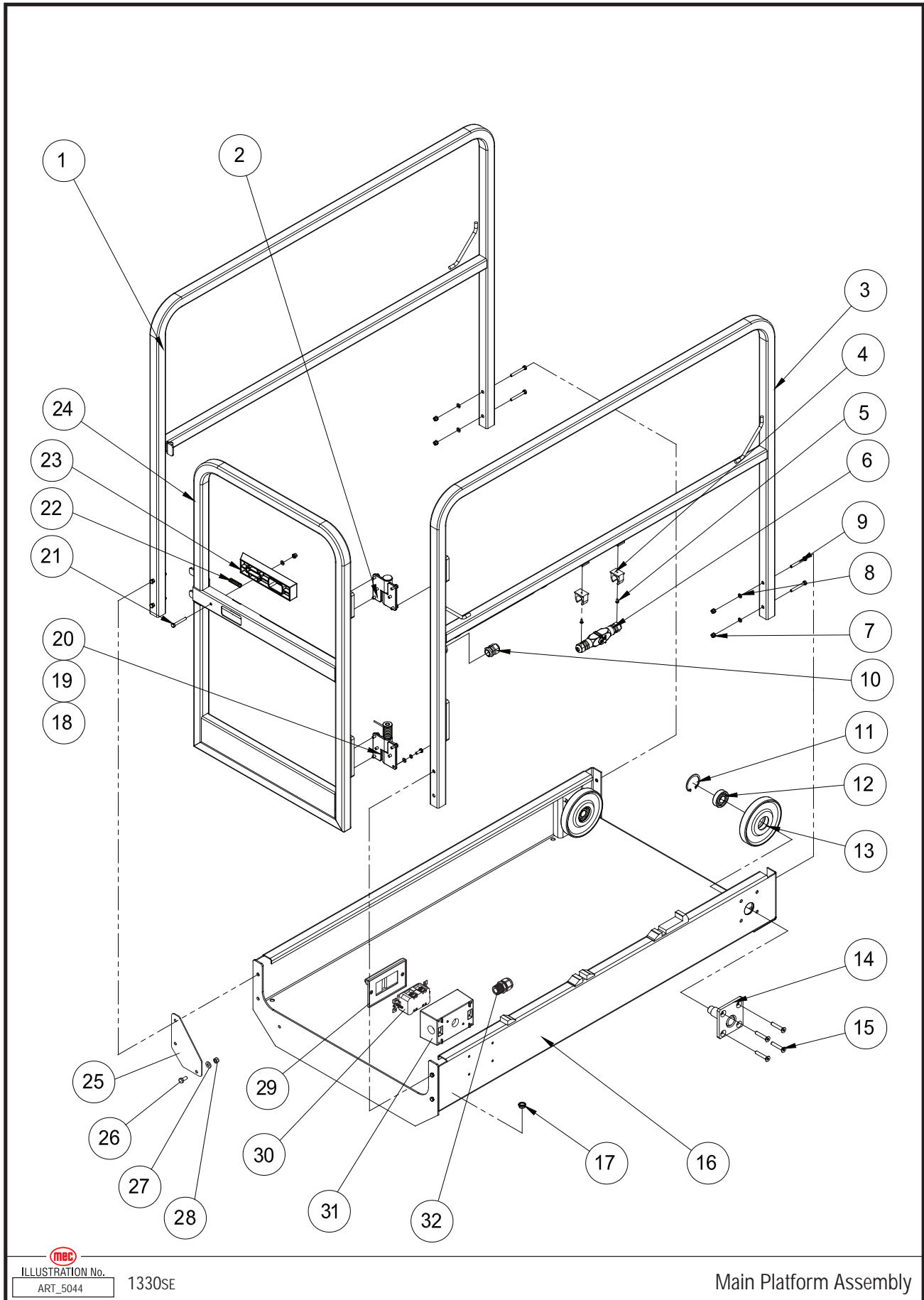


 ILLUSTRATION No. 1330SE
ART_5044

Main Platform Assembly

Item	Part Number	Description	Qty.
1	41578	Platform Guard Rail	1
2	41127	Hinge A	1
3	41579	Platform Guard Rail	1
4	41134	Clip	2
5	53063	HHMS M04-0.70 × 8	1
6	41271	Connector Kit (Gray)	1
	42596	Connector Kit (Orange)	1
7	50047	NNYL M06 × 1.00	11
8	50000	WSHR M06 Standard Flat	15
9	50135	HHCS M06-1.25 × 50	10
10	41273	Waterproof Joint	1
11	41267	Circlip	2
12	41131	Bearing	2
13	41269	Roller	2
14	41360	Roller Installation	2
15	50290	HHCS M08-1.25 × 40	8
16	41272	Platform Deck Assembly	1
17	41275	Shield Sleeve	1
18	41128	Hinge B	1
19	53051	HHMS M06-1.00 × 16	12
20	50000	WSHR M06 Standard Flat	12
21	50294	HHCS M06-1.00 × 45	1
22	41277	Spring	1
23	41278	Latch	1
24	41574	Entry Gate	1
25	41581	Door Support Bracket	1
26	50447	HHCS M08-1.25 × 18	1
27	50001	WSHR M08 Standard Flat	1
28	50048	NNYL M08 × 1.25	1
29	91598	Cover, Outlet Box Weatherproof	1
30	92007	Outlet, 15A 120V GFCI	1
31	91597	Outlet Box, 1/2" Weatherproof	1
--	53040	HHSM M08-15 × 0.50	4
32	92008	Strain Relief 0.50"	1

Platform Extension Assembly

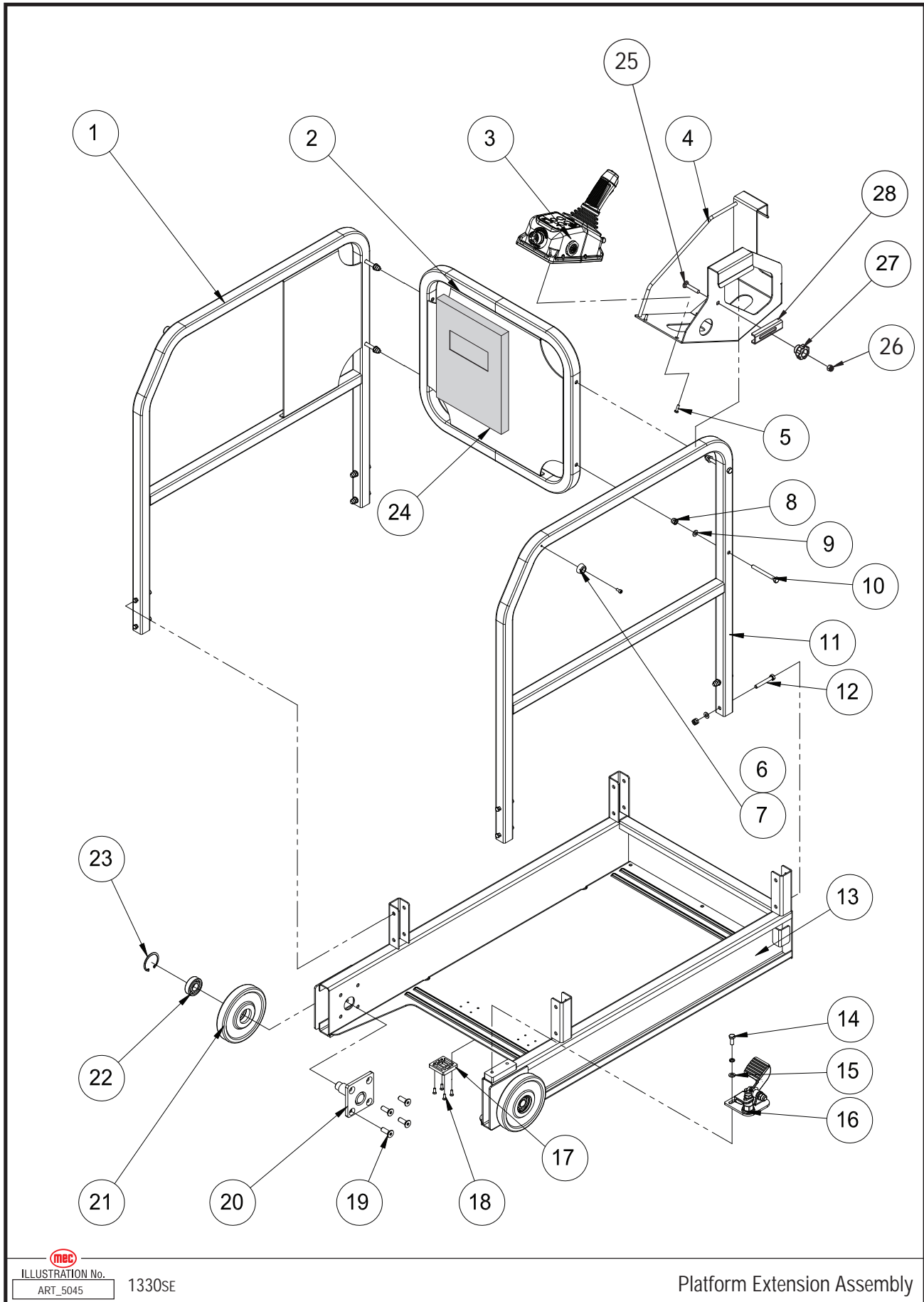
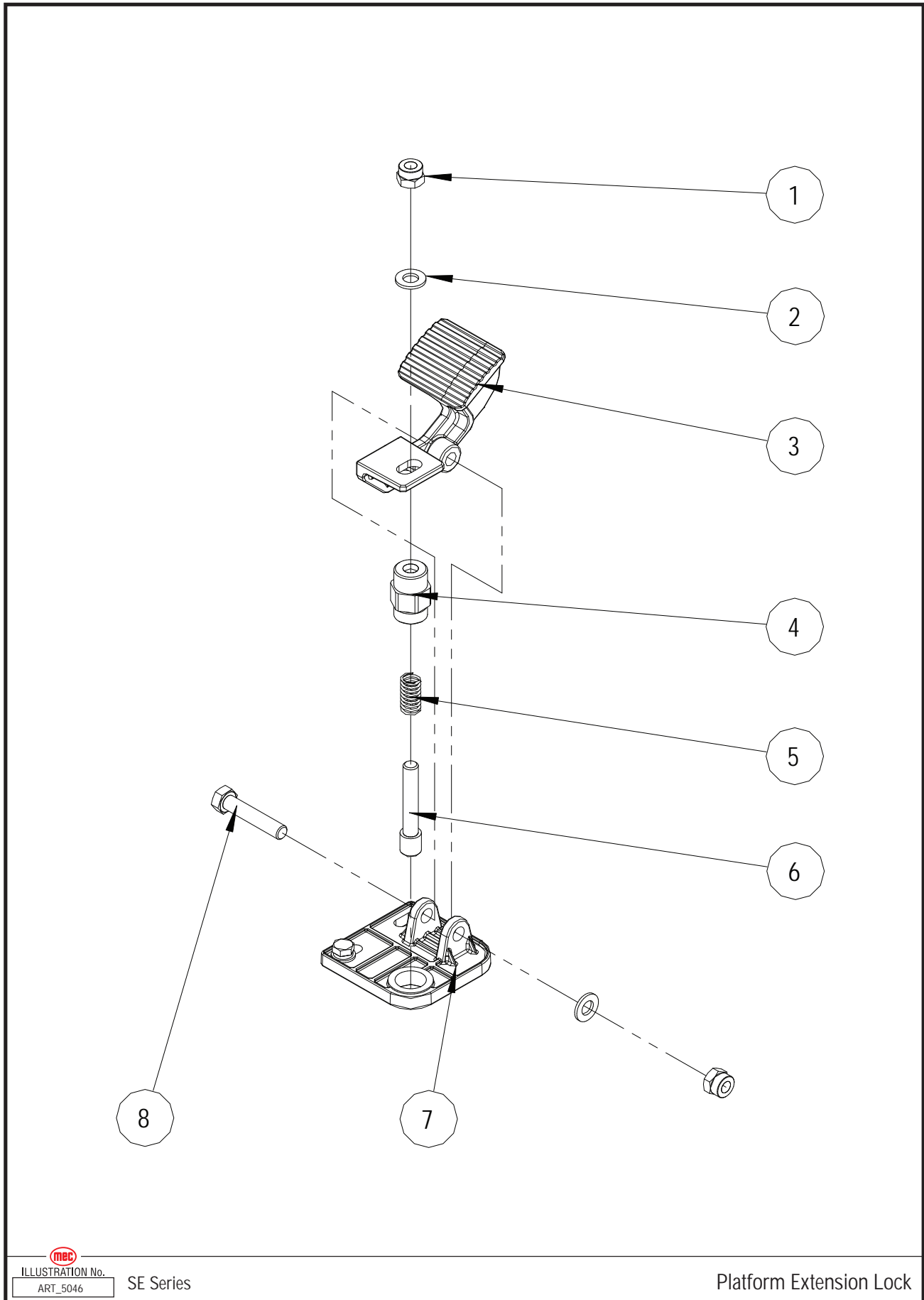



 ILLUSTRATION No. 1330SE
ART_5045

Platform Extension Assembly

Item	Part Number	Description	Qty.
1	41279	Platform Guardrail	1
2	41283	Platform Guardrail	1
3	41890	Upper Control Box Up To Serial # 16305918	1
--	43892	Upper Control Box with Orange Connector From Serial #16305919	1
4	41282	Mounting BKT/Platform Control Box	1
5	50258	HHCS M08-1.25 x 10	4
6	53035	BHCS M05-0.80 x 16	2
7	41120	Rubber Gasket	2
8	50524	NNYL M05-0.80	12
9	50001	WSHR M08 Standard Flat	12
10	50018	HHCS M08-1.25 x 80	12
11	41280	Platform Guardrail	1
12	50016	HHCS M08-1.25 x 55	8
13	41361	Platform Extension	1
14	50030	HHCS M08-1.25 x 20	2
15	53055	WSHR M08 Spring Washer	2
16	41140	Locking Device	1
17	41284	Slippage Of Crutch	2
18	53045	HHMS M05-0.80 x 14	8
19	53069	CSCS M06-1.00 x 20	8
20	41360	Roller Installation	2
21	41141	Roller	2
22	41131	Bearing	2
23	41267	Circlip	2
24	8909	Enclosure Service Manual	1
--	50191	THMS M10-32 x 0.50	4
--	50238	NNYL M10-32	4
25	53248	CARB M08-1.25 x 45	1
26	50048	NNYL M08X1.25 08 ZP Nylon Inse	1
27	42501	Handle	1
28	42500	Locating Plate	1
--	43897	Kit, Upper Control Box Lock	1

Platform Extension Lock



 ILLUSTRATION No. SE Series
ART_5046

Platform Extension Lock

Item	Part Number	Description	Qty.
--	41140	Locking Device	1
1	50049	NNYL M10 x 1.50	2
2	50002	WSHR M10 Standard Flat	2
3	41143	Footpedal	1
4	41144	Lock Pin Housing	1
5	41145	Spring	1
6	41146	Lock Pin	1
7	41147	Bracket	1
8	50020	HHCS M10-1.50 x 50	1

Platform Controls

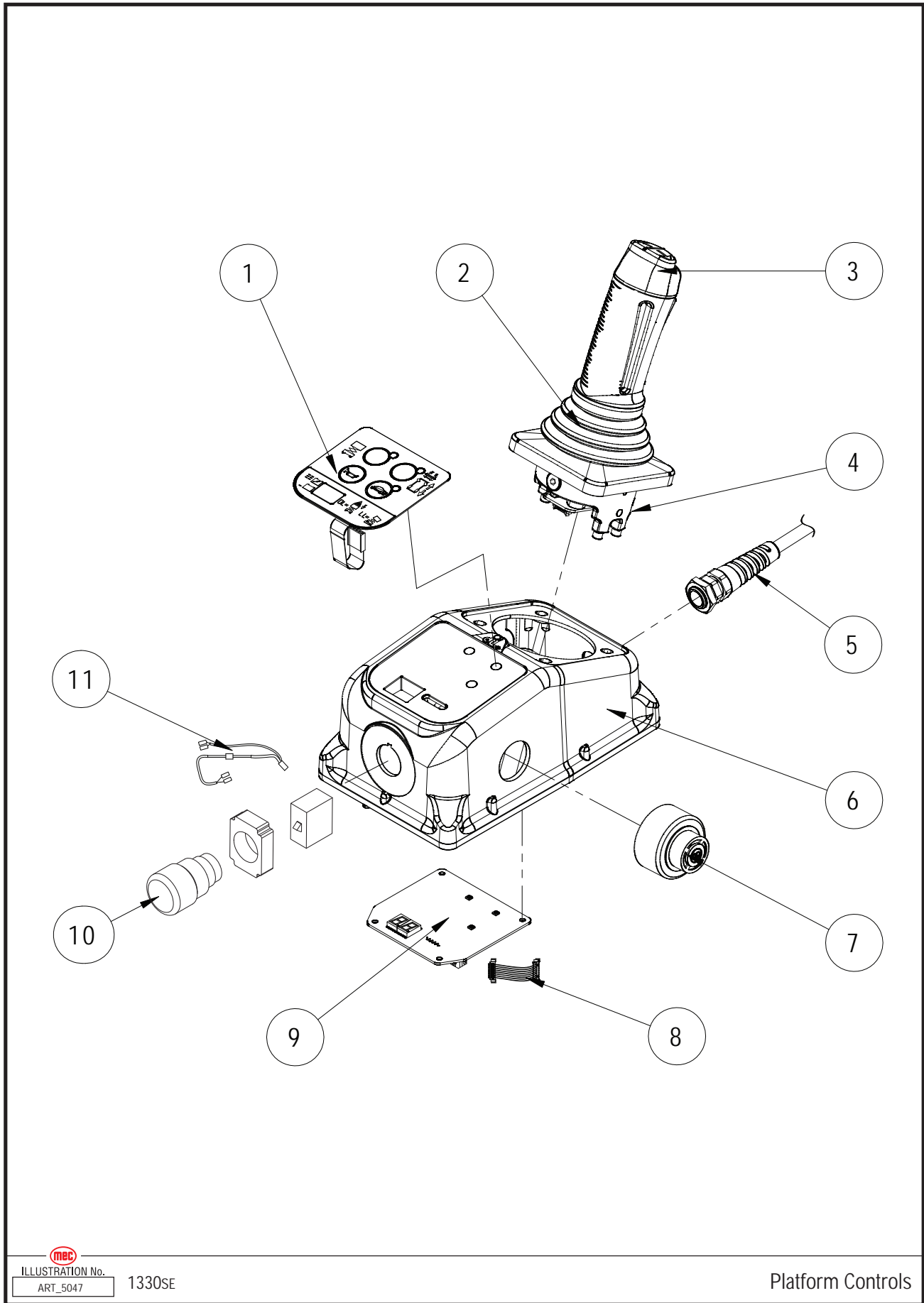
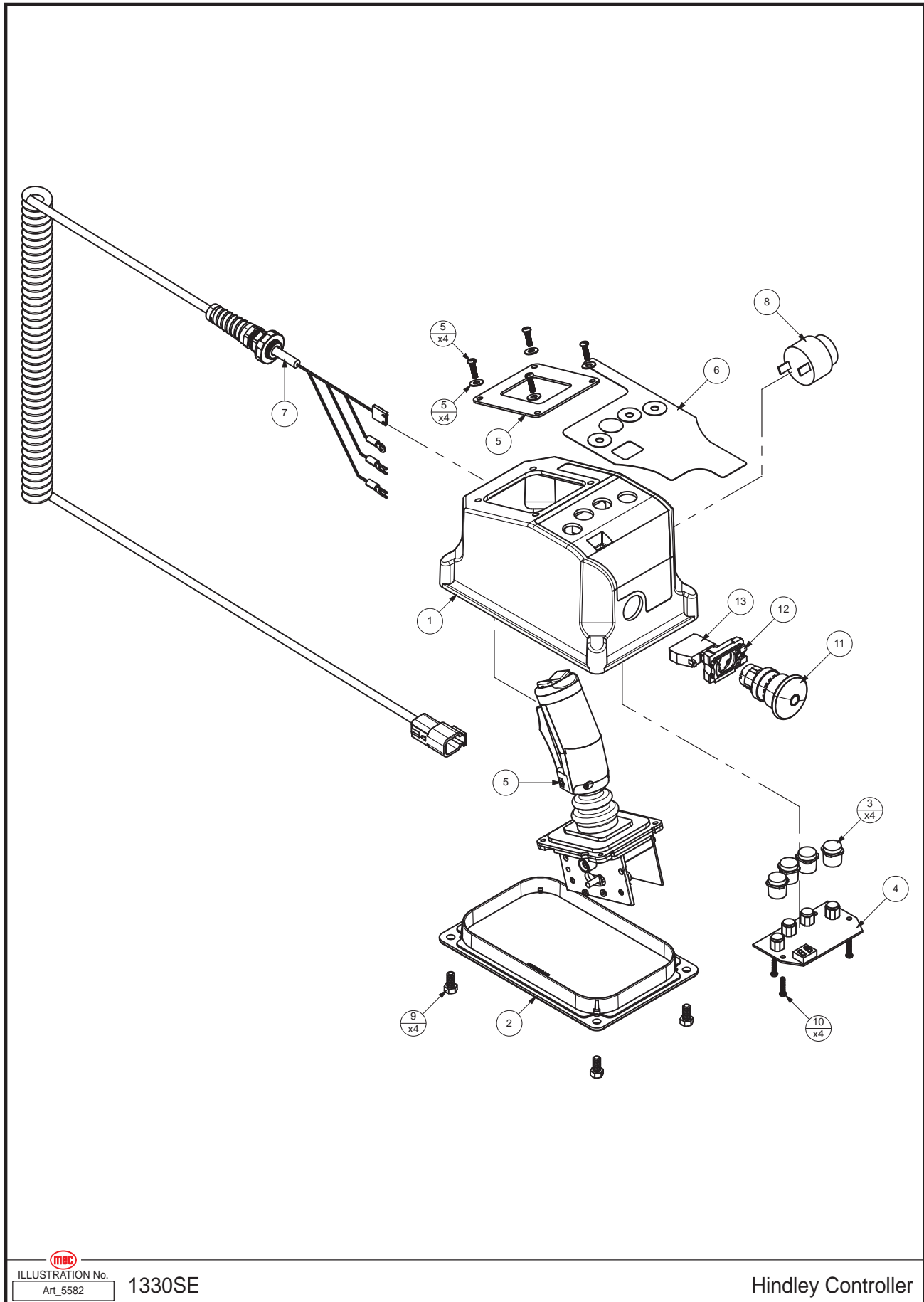



 ILLUSTRATION No. 1330SE
ART_5047

Platform Controls

Item	Part Number	Description	Qty.
--	41890	Upper Control Box Assembly Up To Serial #16305918	1
--	43892	Upper Control Box with Orange Connector From Serial #16305919	1
1	41563	Decal + Membrane	1
--	42884	Decal, Keypad	1
2	41564	Dust Proof Cover	1
3	41565	Switch Boot	1
4	41566	Joystick	1
5	41567	Coil Cord Up To Serial #16305918	1
--	43898	Coil Cord with Orange Connector From Serial #16305919	1
6	41572	Enclosure, Upper Box	1
7	41568	Alarm	1
8	41569	Sensor Board/Main Board Cable	1
9	41570	PC Board	1
10	92408	Push Button E-Stop Red Shamrock	1
--	90714	Base, Switch	1
--	8083	Block Contact, Normally Closed	1
11	41571	Cable, E-Stop & Alarm	1
12	42596	Orange Connector Kit From Serial #16305919	1
13	41271	Grey Connector Kit Up To Serial #16305918	1

Hindley Platform Controls

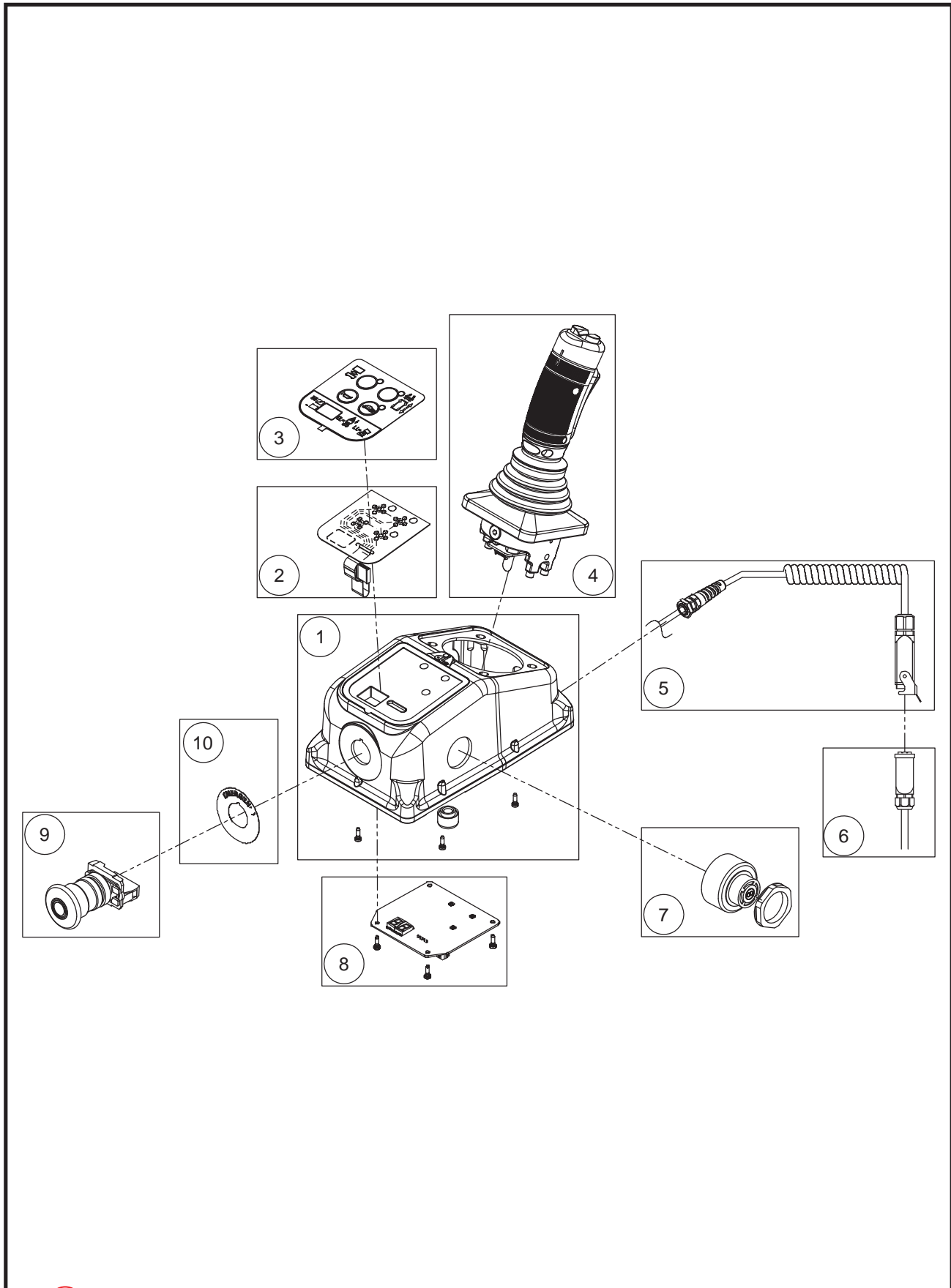



 ILLUSTRATION No. 1330SE
Art_5582

Hindley Controller

Item	Part Number	Description	Qty.
1	43819	Enclosure	1
2	43820	Control Box Bottom	1
3	43821	Clear Switch Actuator	4
4	43829	Circuit Bd Push Button CAN	1
5	43823	Joystick	1
6	43835	Decal, Upper Control Box	1
7	43824	Coil Cord Assembly (Includes Connector)	1
8	43825	Continuous Tone Alarm, 6-28V	1
9	Z003	M.S. 1/4-20 x 1/2 HEX HEAD	4
10	43826	Fastener, Thread Forming, Plastite #4	4
11	43827	E-Stop Button	1
12	43828	Switch Mount	1
13	94433	Single Contact Block, 1 NC, 22mm, Harmony XB4	1

Platform Control Box, From Serial #16305919



 ILLUSTRATION No. 1330SE
Art_5585

Platform Control Box with Orange Connector, From Serial #16305919

Item	Part Number	Description	Qty.
1	41958	PCU Housing	1
2	41959	Keyboard	1
3	42884	Decal, Platform Control Panel	1
4	41957	Joystick	1
--	41565	Switch Boot	1
5	43898	Coil Cord	1
--	43624	Housing	1
--	43625	Male Insert	1
--	43626	Male Contacts	5
--	43627	Cable Gland	1
6	44074	Platform Control Box Harness	1
--	43628	Hood	1
--	43629	Female Insert	1
--	43630	Female Contacts	5
--	43627	Cable Gland	2
7	42119	Alarm	1
8	41962	Main Board	1
9	41963	Emergency Stop Switch	1
--	43899	Red Mushroom Head	1
--	43902	Base with 1 NC contact	1
10	42915	Decal, Emergency Stop Panel	1

Lift Cylinder Assembly

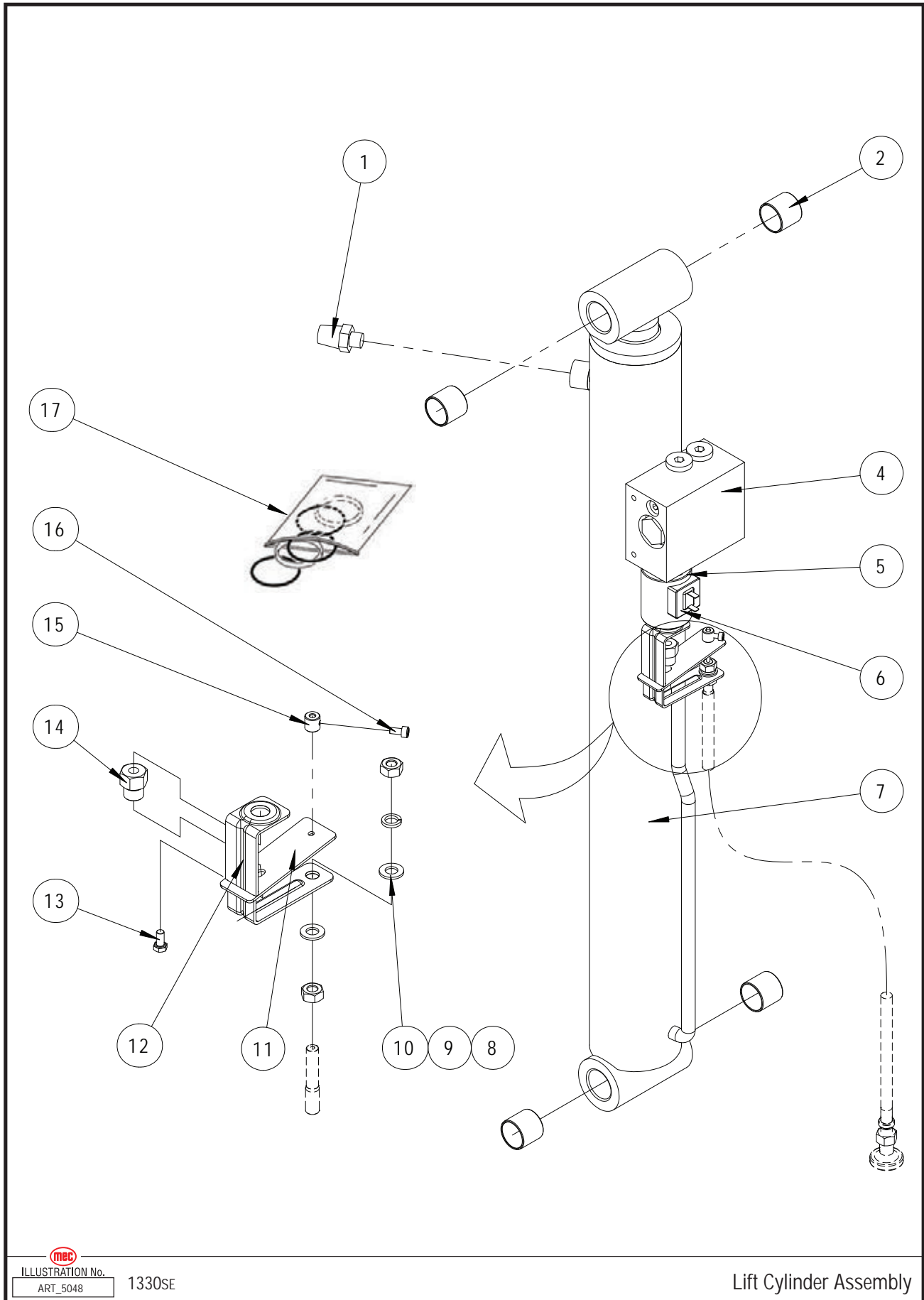
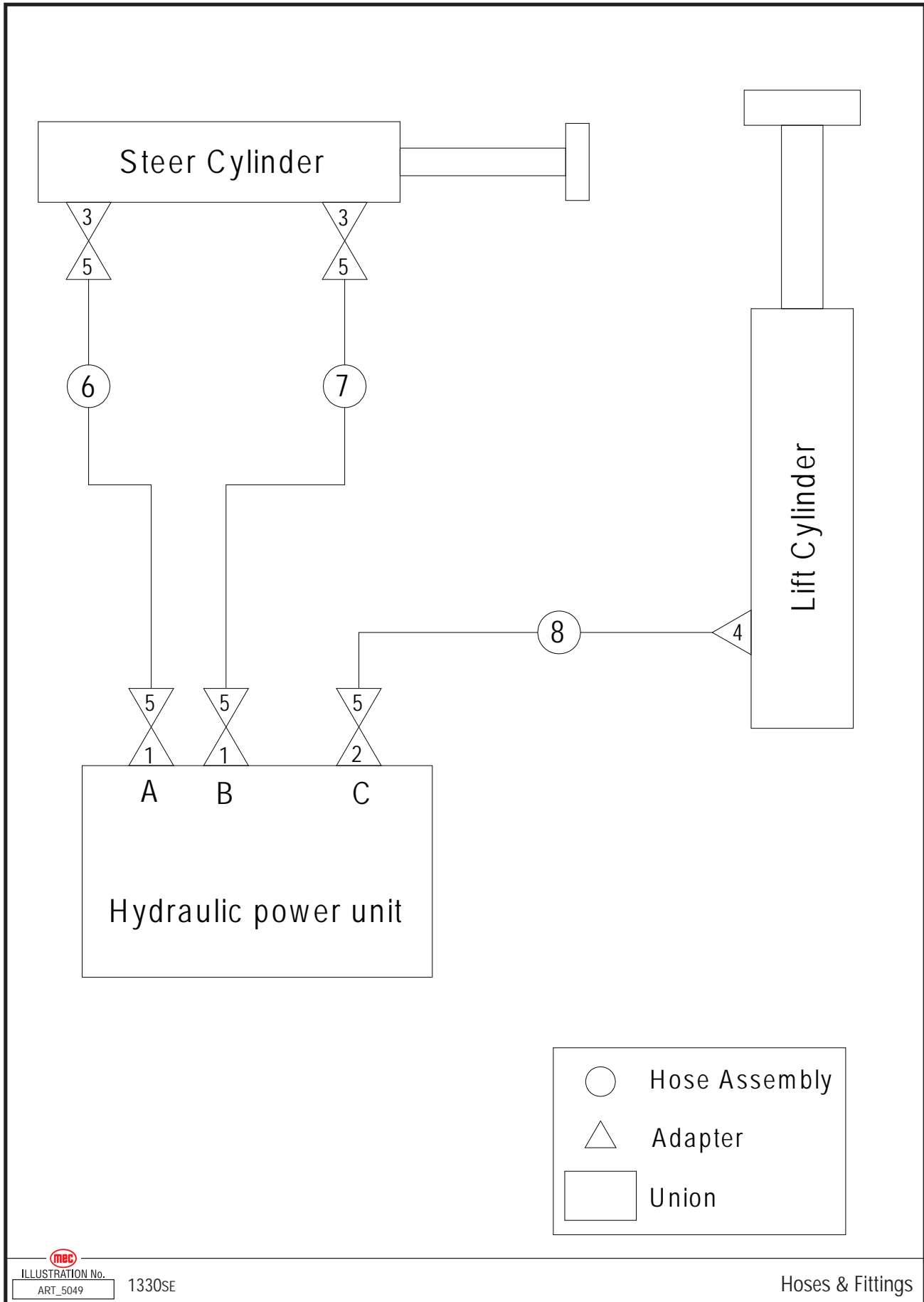


 ILLUSTRATION No. 1330SE
ART_5048

Lift Cylinder Assembly

Item	Part Number	Description	Qty.
1	41362	Muffle	1
2	41287	Bearing, Lift Cylinder	4
3	--	--	--
4	41289	Valve Manifold	1
5	41746	Down Valve Cartridge	1
6	41929	Coil	1
7	41290	Lift Cylinder	1
8	50048	NNYL M08 × 1.25	2
9	53055	WSHR M08 Spring Washer	1
10	50001	WSHR M08 Standard Flat	2
11	41291	Support (E-Down Cable)	1
12	41292	Support (E-Down Bracket)	1
13	53044	SHMS M05-0.80 × 10	1
14	41293	Jib Boom	1
15	41294	Cable End Retainer	1
16	53063	HHMS M04-0.70 × 8	1
17	41295	Seal Kit Lift Cylinder	1
18	41252	Emergency Down Cable	1

Hoses & Fittings



Item	Part Number	Description	Qty.
1	41296	Straight Fitting	2
2	41297	Straight Fitting	1
3	41298	Straight Fitting	2
4	41299	Straight Fitting	1
5	41300	Elbow	5
6	41365	Steer Hose Assembly	1
7	41366	Steer Hose Assembly	1
8	41367	Lift Cylinder Hose Assembly	1

Electrical Harness

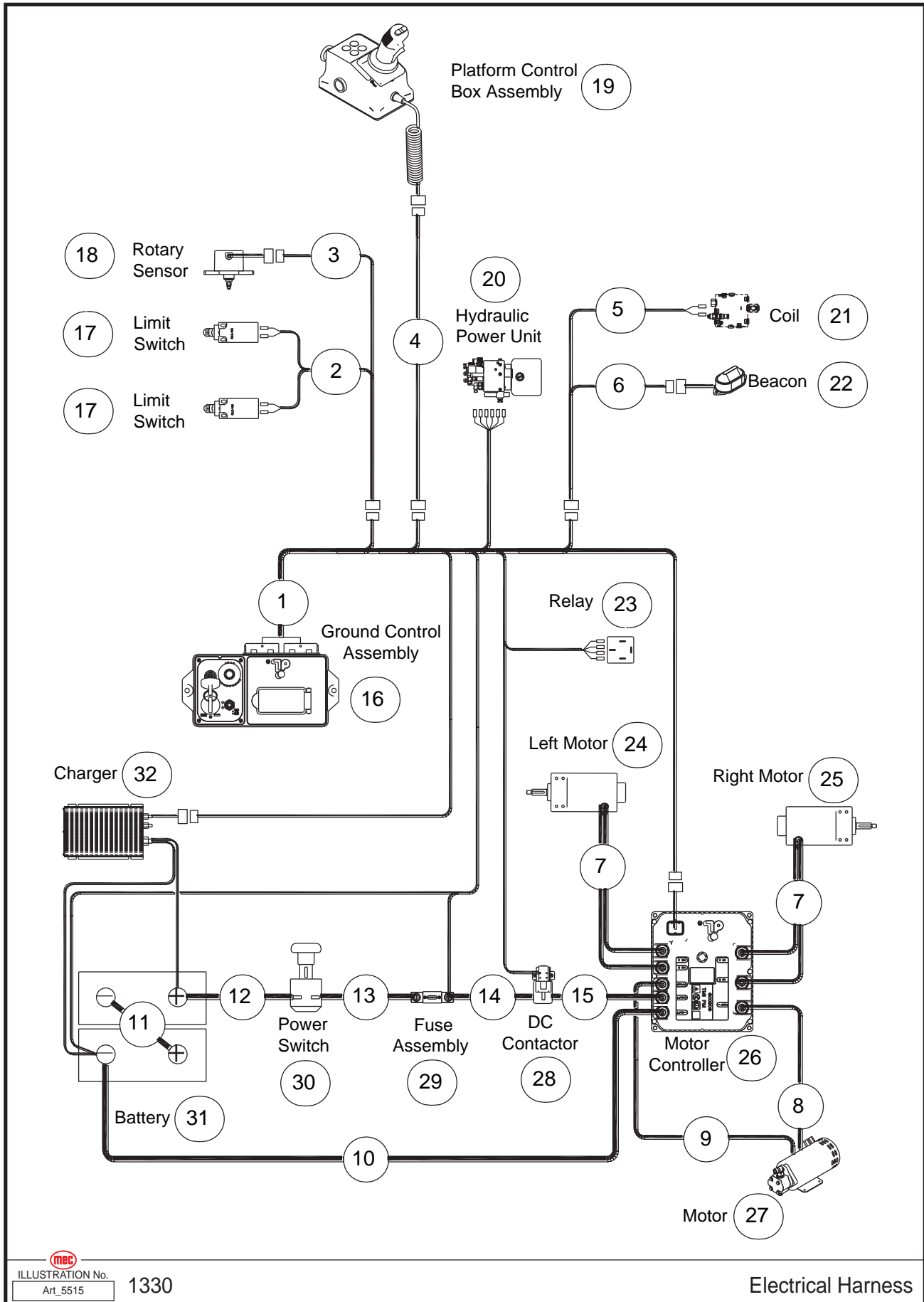
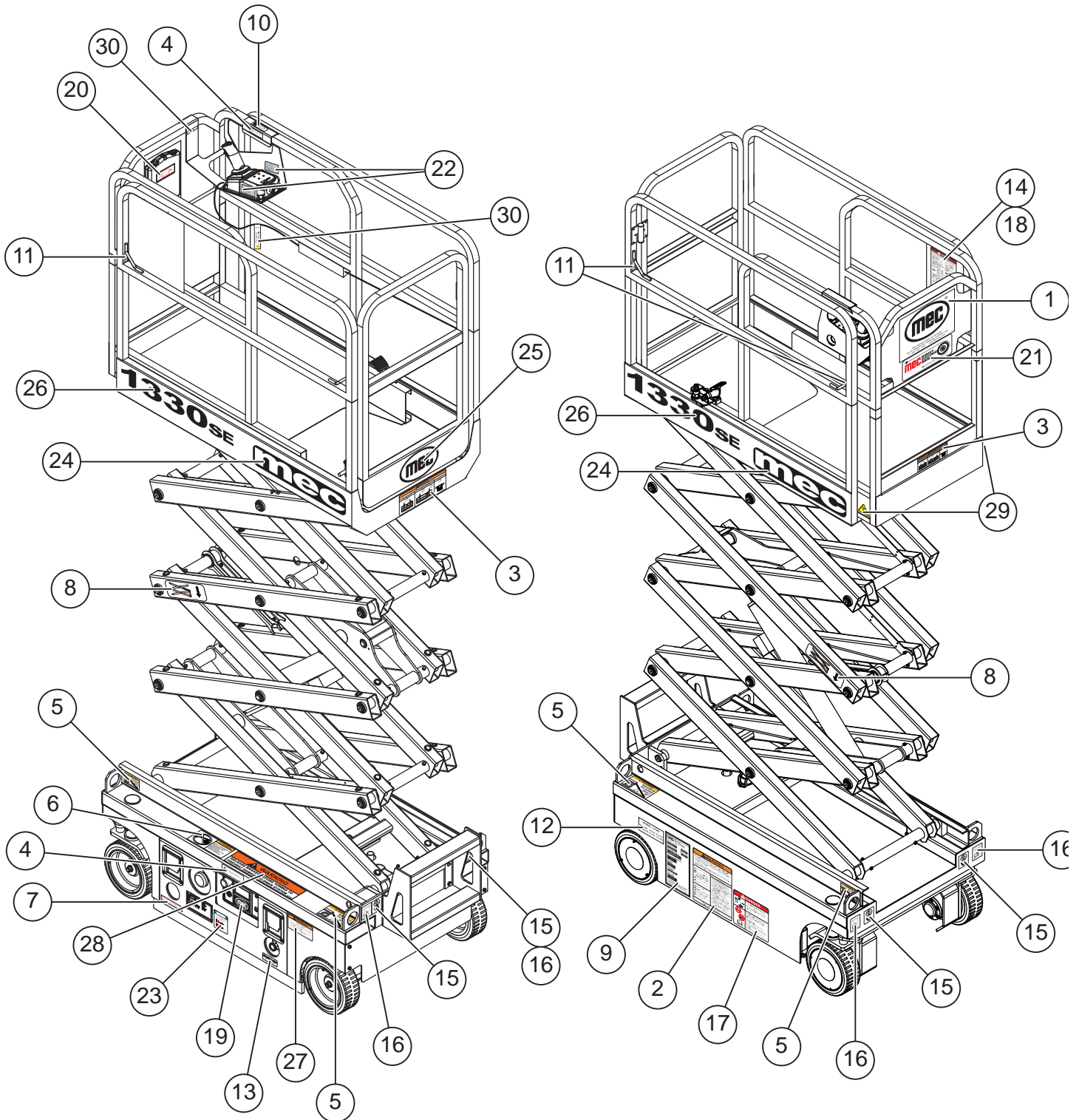



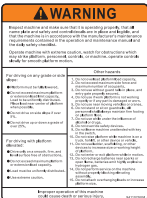
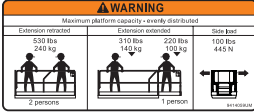
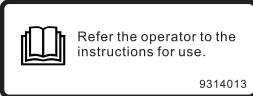
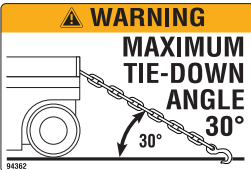


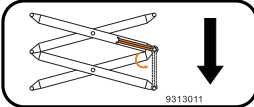

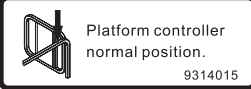

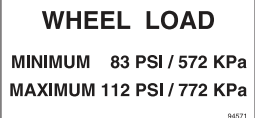


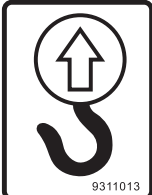






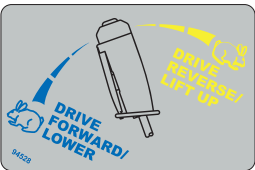
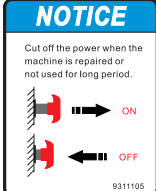






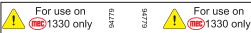
ILLUSTRATION No. 1330
Art_5515

Electrical Harness

Item	Part Number	Description	Qty.
1	41911	ECU Harness Up To Serial #16305918	1
--	44253	ECU Harness with Orange Connector From Serial #16305919	1
2	41924	Pothole Harness	1
3	41923	Rotary Sensor Harness	1
4	41922	Platform Control Box Harness (Up To Serial #16305918)	1
--	44074	Platform Control Box Harness with Orange Connector (From Serial #16305919)	1
5	43814	Lowering Valve	1
6	41912	Beacon Harness	1
7	41913	Drive Motor Harness	2
8	41914	Pump Motor Negative Harness	1
9	41915	Pump Motor Positive Harness	1
10	41921	Battery Negative Harness	1
11	41920	Battery Harness	1
12	41919	Battery Positive Harness	1
13	41918	Fuse Harness	1
14	41917	DC Contactor Harness	1
15	41916	Motor Controller Harness	1
16	REF	Ground Control Assembly (Refer to page 66)	1
17	REF	Limit Switch, Pothole (Refer to page 52)	2
18	REF	Rotary Sensor (Refer to page 52)	1
19	REF	Platform Control Box Assembly (Refer to page 80)	1
20	REF	Hydraulic Power Unit (Refer to page 64)	1
21	REF	Coil (Refer to page 86)	1
22	REF	Beacon (Refer to page 52)	1
23	REF	Relay (Refer to Page 58 or 60)	1
24	REF	Left Motor (Refer to Page 56)	1
25	REF	Right Motor (Refer to Page 56)	1
26	REF	Motor Controller (Refer to page 60 or page 62)	1
27	REF	Motor (Refer to page 64)	1
28	REF	DC Contactor (Refer to page 60 or page 62)	1
29	REF	150A Fuse Assembly (Refer to page 60 or page 62)	1
30	REF	Power Switch (Refer to page 60 or page 62)	1
31	REF	Battery (Refer to page 60 or page 62)	2
32	REF	Charger (Refer to page 60 or page 62)	1

Decals



<p>1</p>  <p>MECAERIAL WORK PLATFORMS 1401 S. MADERA AVE. KERMAN, CA 93830 USA 1-509-842-1500 www.MECawps.com</p> <p>90719 Qty. - 1</p>	<p>2</p>  <p>41649 Qty. - 1</p>	<p>3</p>  <p>41651 Qty. - 2</p>	<p>4</p>  <p>9314013</p> <p>41639 Qty. - 2</p>	<p>5</p>  <p>94362 Qty. - 4</p>
<p>6</p>  <p>DO NOT POWERWASH OR SPRAY ELECTRONIC COMPONENTS OR CONNECTORS. MOISTURE MAY CAUSE DAMAGE AND/OR ERRATIC OPERATION</p> <p>90732 Qty. - 1</p>	<p>7</p>  <p>BATTERY CHARGER AND POWER TO PLATFORM</p> <p>94659 Qty. - 1</p>	<p>8</p>  <p>9313011</p> <p>41638 Qty. - 2</p>	<p>9</p>  <p>94113 Qty. - 1</p>	<p>10</p>  <p>Platform controller normal position.</p> <p>9314015</p> <p>41640 Qty. - 1</p>
<p>11</p>  <p>Restraint only 1 Occurrence</p> <p>9414123UIM</p> <p>41648 Qty. - 3</p>	<p>12</p>  <p>WHEEL LOAD MINIMUM 83 PSI / 572 KPa MAXIMUM 112 PSI / 772 KPa</p> <p>94571 Qty. - 1</p>	<p>13</p>  <p>EMERGENCY LOWER Pull knob to lower platform</p> <p>9311017</p> <p>41636 Qty. - 1</p>	<p>14</p>  <p>41652 Qty. - 1</p>	<p>15</p>  <p>9311013</p> <p>41634 Qty. - 4</p>
<p>16</p>  <p>9311015</p> <p>41635 Qty. - 4</p>	<p>17</p>  <p>Explosion/Burn Hazard Ignition of explosive gases or contact with hot surfaces will cause death, injury or blindness. Keep all open flames and sparks away. Wear personal protective equipment, including face shields, gloves and beryllium shoes. Read Manuals DO NOT OPERATE equipment if you do not understand the information in the manuals. Consult your supervisor, the owner or the manufacturer.</p> <p>941911UIM</p> <p>41641 Qty. - 1</p>	<p>18</p>  <p>Tip-over Hazard If the platform is tilted, it is unstable. Death or serious injury could occur.</p> <p>941910UIM</p> <p>1. Lower the platform. 2. Move the machine to level surface.</p> <p>41647 Qty. - 1</p>	<p>19</p>  <p>94122 Qty. - 1</p>	<p>20</p>  <p>8911 Qty. - 1</p>
<p>21</p>  <p>94423 Qty. - 1</p>	<p>22</p>  <p>DRIVE FORWARD/LOWER</p> <p>94528 Qty. - 2</p>	<p>23</p>  <p>NOTICE Cut off the power when the machine is repaired or not used for long period.</p> <p>ON OFF</p> <p>9311105</p> <p>41637 Qty. - 1</p>	<p>24</p>  <p>94114 Qty. - 2</p>	<p>25</p>  <p>94115 Qty. - 1</p>
<p>26</p>  <p>94116 Qty. - 2</p>	<p>27</p>  <p>WARNING RELEASE BRAKES BEFORE TOWING TO PREVENT DAMAGE TO DRIVE SYSTEM</p> <p>42534 Qty. - 1</p>	<p>28</p>  <p>WARNING RELEASE BRAKES BEFORE TOWING TO PREVENT DAMAGE TO DRIVE SYSTEM</p> <p>42534 Qty. - 1</p>	<p>29</p>  <p>91850 Qty. - 2</p>	<p>30</p>  <p>For use on 1330 only For use on 1330 only</p> <p>94779 94779 94779</p> <p>94779 Qty. - 2</p>

Item	Part Number	Description	Qty.
1	90719	Decal, MEC Oval	1
2	41649	Decal, Warning Panel	1
3	41651	Decal - Capacity 530 lbs	2
4	41639	Decal Instructions - Refer The Operator Manual	2
5	94362	DECAL, 1330SE Tie Down	4
6	90732	Decal, Warning No Powerwash	1
7	94659	Decal, Battery Charger & Power To Platform	1
8	41638	Decal Instructions - Safety Arm	2
9	94113	Decal, Serial Plate, Slab Machines	1
10	41640	Decal Instructions - Platform Controller Normal Position	1
11	41648	Decal - Lanyard Anchorage	3
12	94571	Decal, Floor Loading - 1330SE & Micro 19	1
13	41636	Decal Instructions - Emergency Lower	1
14	41652	Decal Danger - Safety Rules	1
15	41634	Decal Instructions - Lift Point	4
16	41635	Decal Instructions - Tie Down Point	4
17	41641	Decal Danger - Explosion / Burn Hazard	1
18	41647	Decal Danger - Tip-over Hazard	1
19	94122	Decal, MEC Oval on Black	1
20	8911	Decal, Manuals Inside Icon	1
21	94423	Decal, MEC Direct Electric Drive	1
22	94528	Decal, Drive/Lift Side for Slabs	2
23	41637	Decal Notice - Main Power Switch Operation	1
24	94114	Decal, MEC Square	2
25	94115	Decal, MEC Oval, Small	1
26	94116	Decal, 1330SE	2
27	41645	Decal Warning - Tip-over Hazard	1
28	42534	Brake Release Decal	1
29	91850	Decal, Caution Triangle Overhead Clearance	2
30	94779	1330 Decal, For use on	2

Notes



Limited Owner Warranty

MEC Aerial Platform Sales Corp. warrants its equipment to the original purchaser against defects in material and/or workmanship under normal use and service for one (1) year from date of registered sale or date the unit left the factory if not registered. MEC Aerial Platform Sales Corp. further warrants the structural weldments of the main frame and scissor arms to be free from defects in material or workmanship for five (5) years from date of registered sale or date unit left the factory if not registered. Excluded from such warranty is the battery(s) which carries a ninety (90) day warranty from described purchase date. Warranty claims within such warranty period shall be limited to repair or replacement, MEC Aerial Platform Sales Corp's option, of the defective part in question and labor to perform the necessary repair or replacement based on MEC Aerial Platform Sales Corp's then current flat rate, provided the defective part in question is shipped prepaid to MEC Aerial Platform Sales Corp. and is found upon inspection by MEC Aerial Platform Sales Corp. to be defective in material and/or workmanship. MEC Aerial Platform Sales Corp. shall not be liable for any consequential, incidental or contingent damages whatsoever. Use of other than factory authorized parts; misuse, improper maintenance, or modification of the equipment voids this warranty. The foregoing warranty is exclusive and in lieu of all other warranties, express or implied. All such other warranties, including implied warranties of merchantability and of fitness for a particular purpose, are hereby excluded. No Dealer, Sales Representative, or other person purporting to act on behalf of MEC Aerial Platform Sales Corp. is authorized to alter the terms of this warranty, or in any manner assume on behalf of MEC Aerial Platform Sales Corp. any liability or obligation which exceeds MEC Aerial Platform Sales Corp's obligations under this warranty.



MEC Aerial Work Platforms

1401 S. Madera Avenue, Kerman, CA 93630 USA

Toll Free: 1 - 877 - 632 - 5438

Phone: 1 - 559 - 842 - 1500

Fax: 1 - 559 - 842 - 1520

info@MECawp.com

www.MECawp.com